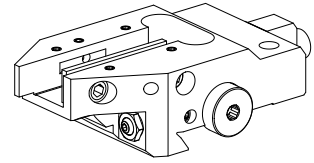


## Turning tool holder MS16/MS22 Square 16x

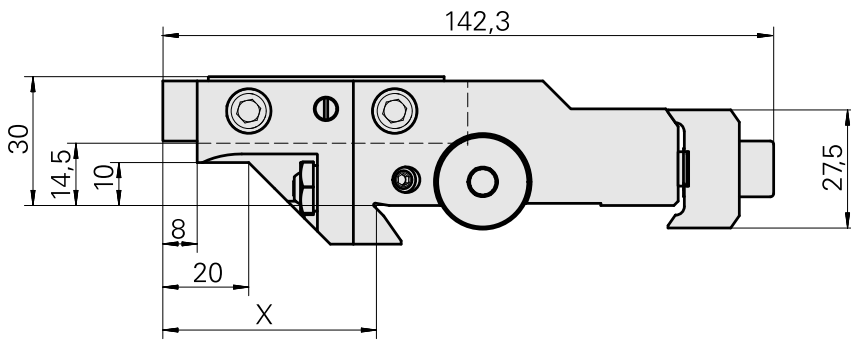
### Technical data

<b>Slide system MS</b>	MS16/MS22
<b>Drive</b>	not live
<b>Fixation MS</b>	Dovetail
<b>Cooling</b>	external and internal
<b>Pressure</b>	80 bar
<b>Direction</b>	right-handed run
<b>Mounting</b>	Square 16x16
<b>X [mm]</b>	49.7 (1.96")
<b>Y [mm]</b>	–
<b>Z [mm]</b>	14.5 (0.57)
<b>INDEX TRAUB products</b>	A100 • MS16-6 • MS22-6 • MS22-8 • MS24-6 • MS24-8 • MS16-6 Plus



### Note

Stop plate is not included!



X	49,7
---	------



---

## Documents

No downloads available for this product

## Accessories

### Optional accessories

#### Tool holder accessories

#### [Plate, height 4 mm \(0.15"\)](#)

Product ID : 12050311

Previous product ID :

TH accessories  
category  
Compensation plate

Mounting  
Square 16x16

#### Other accessories

#### [Stop plate](#)

Product ID : 12125993

Previous product ID :

---

#### [Ball nozzle D8xM5](#)

Product ID : 10392450

Previous product ID : W02019.0002

---

#### [Hollow screw M12x1](#)

Product ID : 10757766

Previous product ID : W02013.0001

---

#### [SET SCREW](#)

Product ID : 10244712

Previous product ID : 410156.0505

---

Bush 4x8x12

Product ID : 10831938

Previous product ID : W02010.0002

---