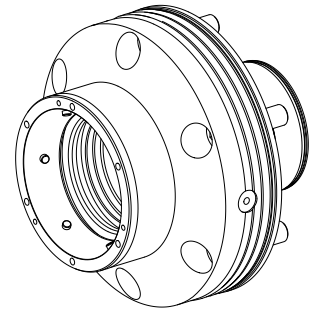


Chuck

Technical data

INDEX TRAUB products	B500 • TNA500.2 • B500.3 • TNA500.3
Spindle clearance	102mm
Machining side	Main spindle
Ext. manufact. product feature	Modular
Ext. manufacturer product line	SPANNTOP nova chuck
Spindle mounting	KK11
Clamping device size	SK100
Ext. manufacturer product line	Hainbuch



No 3-side view is currently available for this product

Documents

No downloads available for this product