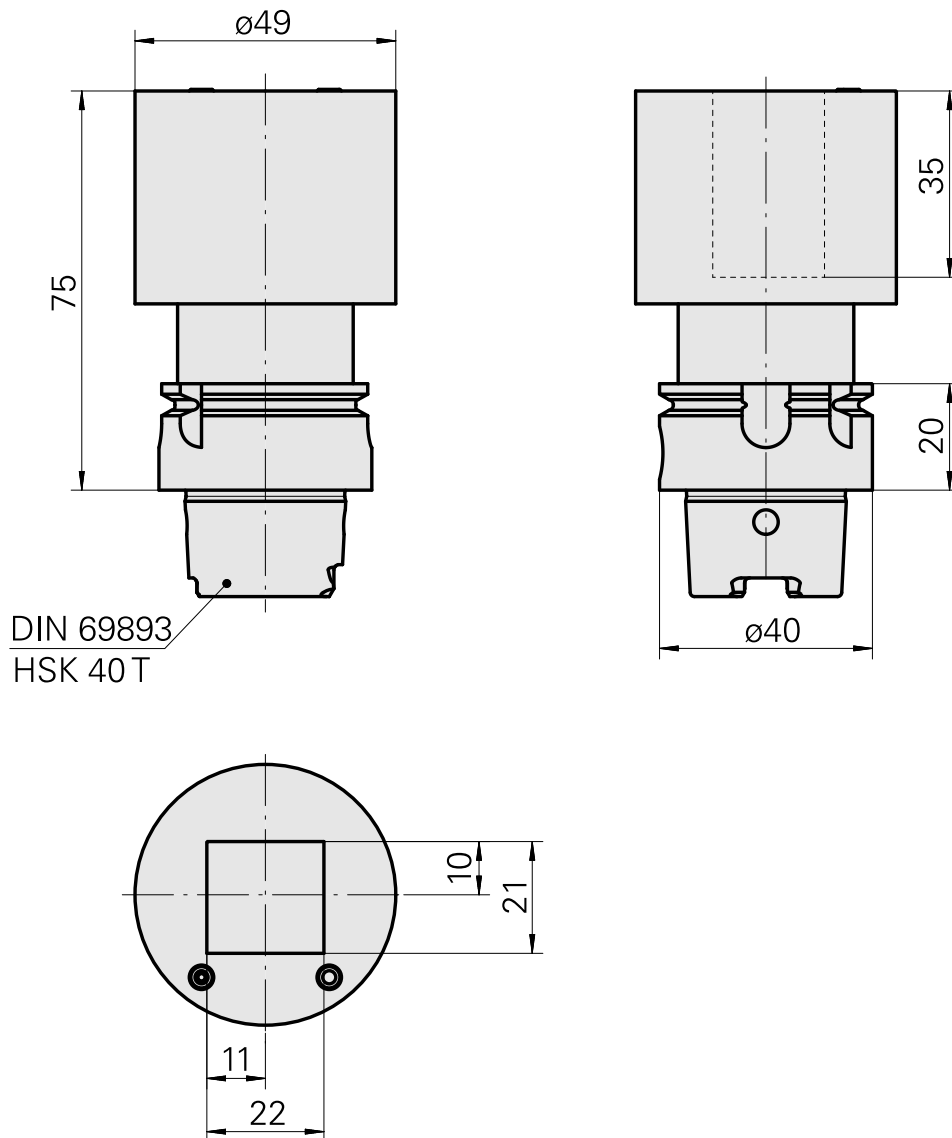
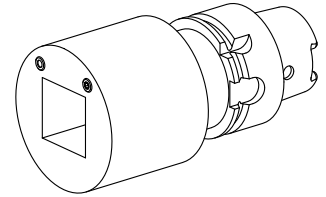


## Turning tool holder HSK 40 T square 20x20

### Technical data

|                      |  |
|----------------------|--|
| Shank HSK            | HSK 40   |
| Form HSK             | T  |
| Mounting             | Square 20x20   |
| Cooling              | external   |
| Pressure             | 80 bar   |
| X [mm]               | 75 (2.95")   |
| INDEX TRAUB products | G200.2 • G220 • R200 • TNX65/42 •<br>G220.3 • TNX220.3 |



## Documents

No downloads available for this product

## Accessories

Required for operation

### [Socket wrench](#)

Product ID : 10532354

Previous product ID : WS7400.0010

TH accessories  
category  
Tool for KSS adapter

Mounting  
HSK 40 A/C

Optional accessories

### **Tool holder accessories**

### [Coolant adapter kit](#)

Product ID : 10581780

Previous product ID : WS7400.0020

TH accessories  
category  
Cooling lubricant  
transfer set

Mounting  
HSK 40 A/C

### [Coolant supply, max. 120 bar](#)

Product ID : 12024083

Previous product ID :

TH accessories  
category  
Cooling lubricant  
transfer set

Mounting  
HSK 40 A/C