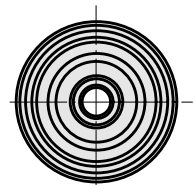
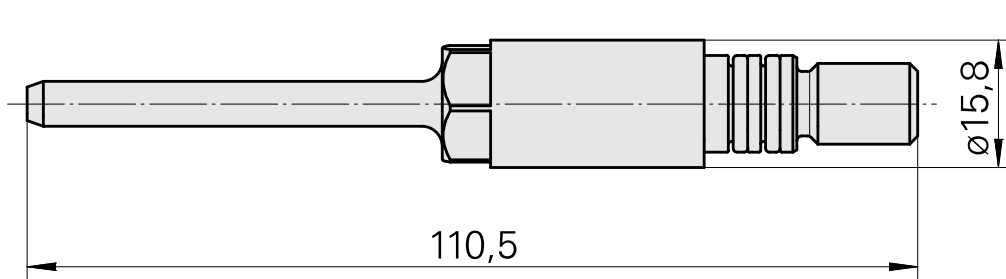
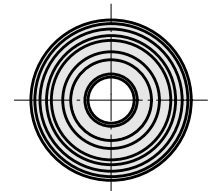
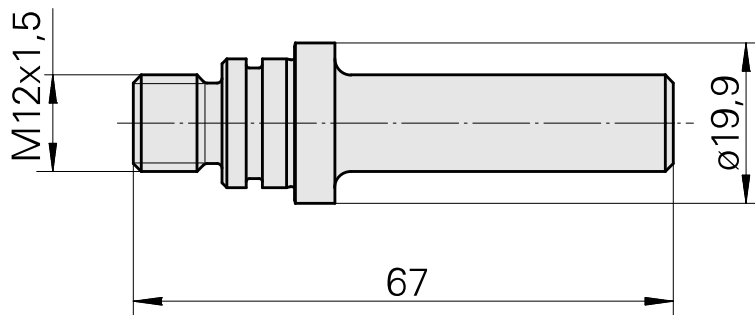
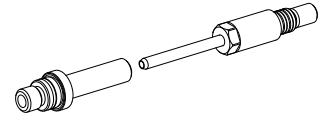


CL feeder, fixed TNL12.2, Back/front working unit

Technical data

There are currently no additional technical features stored for this product



Documents

No downloads available for this product

Accessories

Optional accessories

Other accessories

[Spanner](#)

Product ID : 12083203

Previous product ID :
