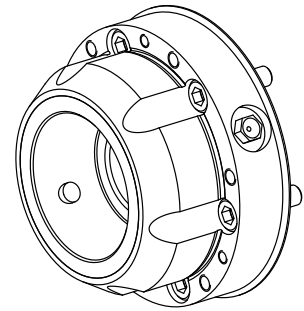

Spannfutter D88 Spanntop AxFix d16

Technical data

There are currently no additional technical features stored for this product



No 3-side view is currently available for this product

Documents

No downloads available for this product

Accessories

Optional accessories

Spindle liners

[Socket head screw](#)

Product ID : 10157066

Previous product ID : 410260.0620

Other accessories

[Fixture](#)

Product ID : 10455955

Previous product ID : 900416.8151

Clamping device size
SK16

manufacturer product
line
SPANNTOP nova chuck

Clamping method
External clamping

manufacturer product
line
Hainbuch

[HAINBUCH GREASE 2085/0003](#)

Product ID : 10825733

Previous product ID : 373241.1021

manufacturer product
line
SPANNTOP nova chuck
• SPANNTOP mini
chuck • TOPlus chuck
• TOPlus chuck mini
• TOPlus chuck with
end-stop

Clamping method
External clamping

manufacturer product
line
Hainbuch

Other accessories

[Clamping head sk16bzigr5,0](#)

Product ID : 10875232

Previous product ID : 900416.G050

[Clamping head sk16bzigr6,0](#)

Product ID : 10252855

Previous product ID : 900416.G060

[Clamping head sk16bzigr7,0](#)

Product ID : 10469874

Previous product ID : 900416.G070

[Clamping head sk16bzigr8,0](#)

Product ID : 10841849

Previous product ID : 900416.G080

[Clamping head sk16bzigr9,0](#)

Product ID : 10984109

Previous product ID : 900416.G090

[Clamping head sk16bzigr10,0](#)

Product ID : 10051491

Previous product ID : 900416.G100

[Clamping head sk16bzigr11,0](#)

Product ID : 10776704

Previous product ID : 900416.G110

[Clamping head sk16bzigr12,0](#)

Product ID : 10033777

Previous product ID : 900416.G120

[Clamping head sk16bzigr13,0](#)

Product ID : 10080922

Previous product ID : 900416.G130

[Clamping head sk16bzigr14,0](#)

Product ID : 10952679

Previous product ID : 900416.G140

[Clamping head sk16bzigr15,0](#)

Product ID : 10199552

Previous product ID : 900416.G150

[Clamping head sk16bzigr16,0](#)

Product ID : 10935656

Previous product ID : 900416.G160
