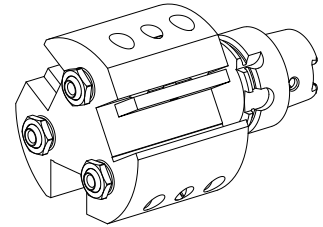

Turning tool holder HSK 40 T square 16x1, triple, for clockwise rotation

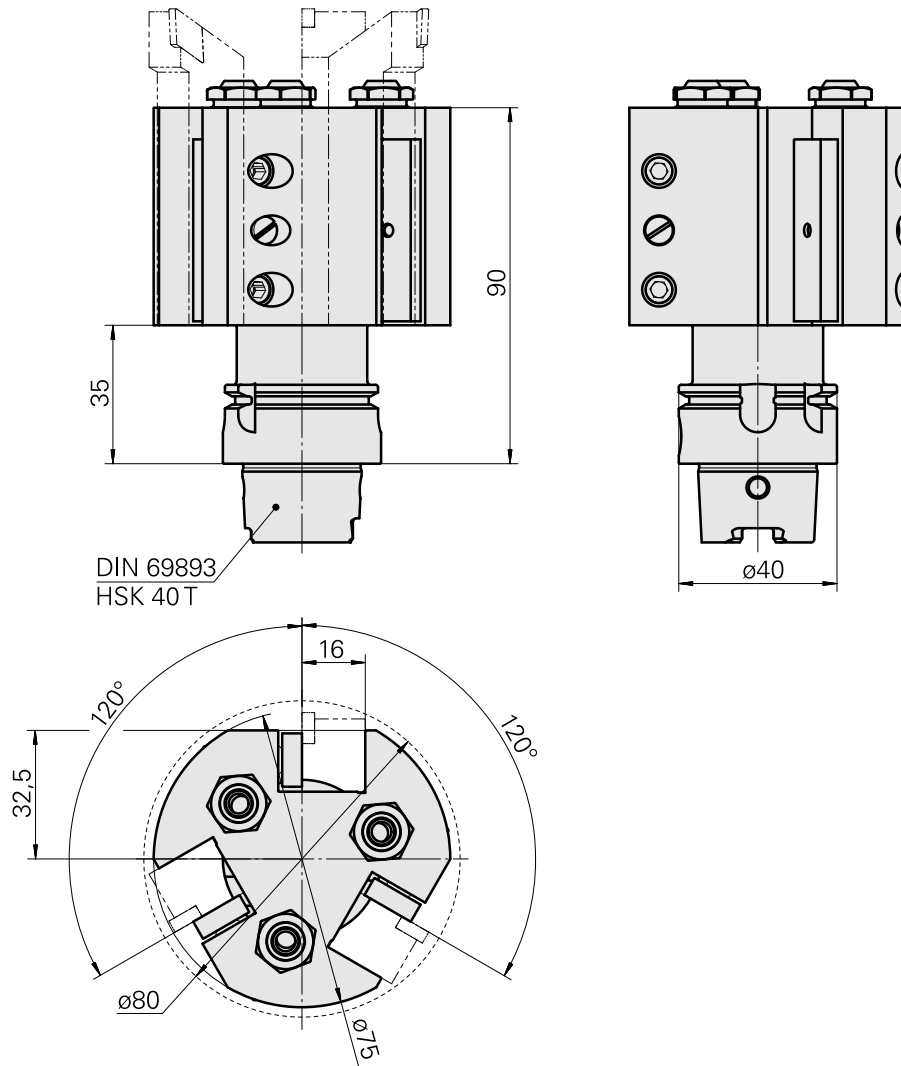
Technical data

| | |
|-----------------------------|---------------------------------|
| Shank HSK | HSK 40 |
| Form HSK | T |
| Mounting | Square 16x16 |
| Cooling | external |
| Pressure | 80 bar |
| X [mm] | 90 (3.54") |
| Z [mm] | 32.5 (1.28) |
| INDEX TRAUB products | G220.3 • G220 • R200 • TNX220.3 |



Note

Not suitable for INDEX G160, G250 and G400! Adjacent stations in the tool magazine can only be used to a limited extent!



Documents

No downloads available for this product

Accessories

Required for operation

[Socket wrench](#)

Product ID : 10532354

Previous product ID : WS7400.0010

TH accessories
category
Tool for KSS adapter

Mounting
HSK 40 A/C

Optional accessories

Tool holder accessories

[Coolant adapter kit](#)

Product ID : 10581780

Previous product ID : WS7400.0020

TH accessories
category
Cooling lubricant
transfer set

Mounting
HSK 40 A/C

[Coolant supply, max. 120 bar](#)

Product ID : 12024083

Previous product ID :

TH accessories
category
Cooling lubricant
transfer set

Mounting
HSK 40 A/C

Other accessories

[Coolant Nozzle](#)

Product ID : 11031912

Previous product ID : W67500.3208

11087974
W2350014

INDEX

HOLLOW SCREW M14x1 M14x1

Product ID : 10105238

Previous product ID : W67530.0818

BUSHING 10 D x 6 D x 12,5

Product ID : 10670360

Previous product ID : W67530.0824
