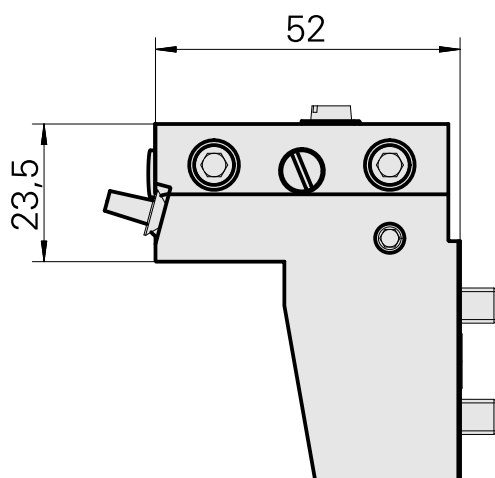
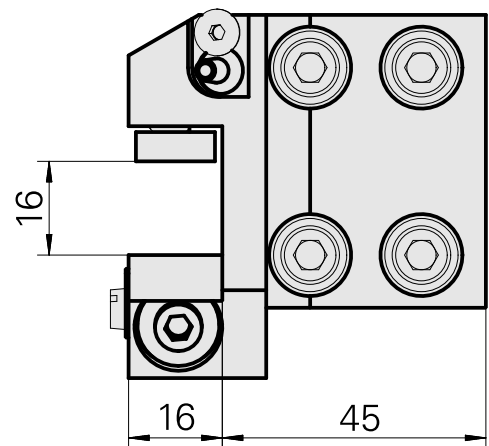
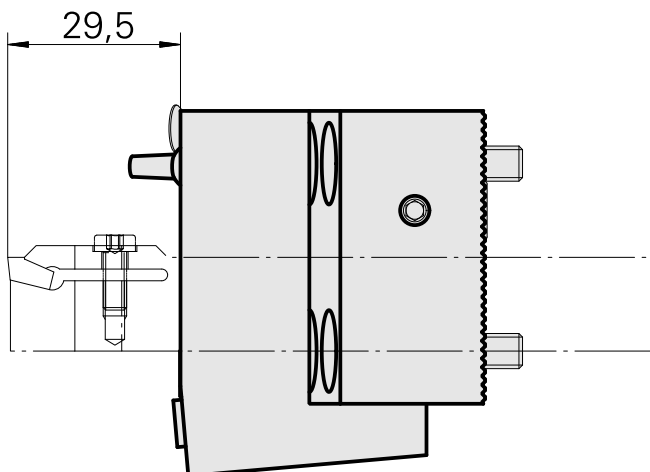
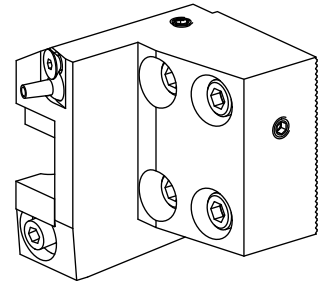


Grooving tool holding block Square 16x16, adjustable in Z direction

Technical data

| | |
|-----------------------------|----------------------|
| Drive | not live |
| Cooling | external |
| Pressure | 80 bar |
| Direction | left-handed run |
| Mounting | Square 16x16 |
| X [mm] | - |
| Y [mm] | - |
| Z [mm] | - |
| INDEX TRAUB products | MS16-6 • MS16-6 Plus |



Documents

No downloads available for this product

Accessories

Optional accessories

Other accessories

[Ball nozzle D8xM5](#)

Product ID : 10392450

Previous product ID : W02019.0002

[Nozzle Kugel-D8](#)

Product ID : 10007891

Previous product ID : 904837

[Countersunk screw M 4x 8/T20 verzinkt 402314 8](#)

Product ID : 10586100

Previous product ID : 410362.0408
