

WFB 32-20 ER20, with internal clamping nut

Technical data

TH accessories category

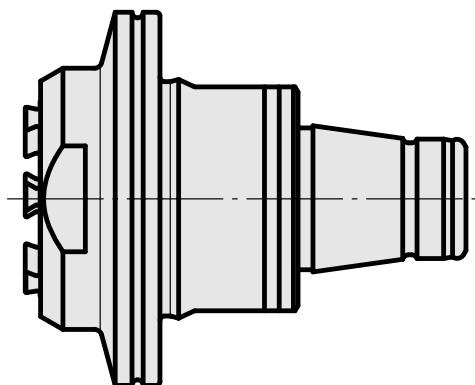
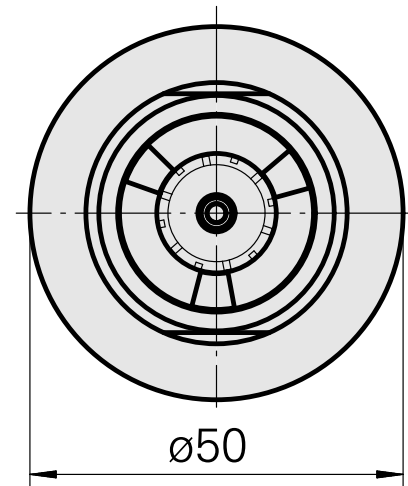
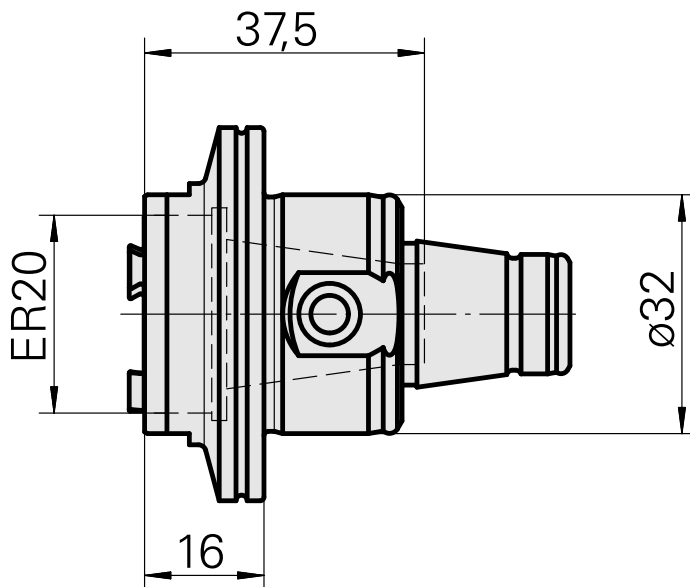
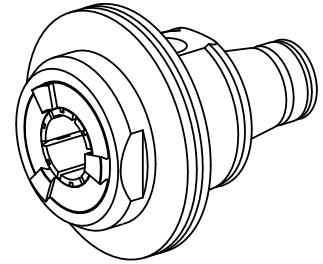
WFB 32-20

Mounting

ER20

Quick change inserts

collet mounting



Documents

No downloads available for this product

Accessories

Required for operation

[Spanner](#)

Product ID : 10085639

Previous product ID : 490219.3201

| | | | |
|------------------------------------------------|------------------|----------------------|----------------------------------|
| TH accessories category Tool | Mounting ER20 | Collet type ER 20 | Clamping nut type Male thread |
| Tools for Collet chucks Clamping nut wrench | | | |

Optional accessories

Tool holder accessories

[Clamping nut](#)

Product ID : 10566942

Previous product ID : 901939.5201

| | | | |
|-----------------------------------------|------------------|----------------------|----------------------------------|
| TH accessories category Clamping nut | Mounting ER20 | Collet type ER 20 | Clamping nut type Male thread |
|-----------------------------------------|------------------|----------------------|----------------------------------|

Other accessories

[Clamping collet](#)

Product ID : 10863981

Previous product ID : 901930.2---

[Clamping collet, sealed](#)

Product ID : 10919110

Previous product ID : W999084-

11057356
W9990890

INDEX

[tapping tool collet ET-1-20](#)

Product ID : 10418139

Previous product ID : 3234--

[Collet chuck](#)

Product ID : 10135002

Previous product ID : W999066-
