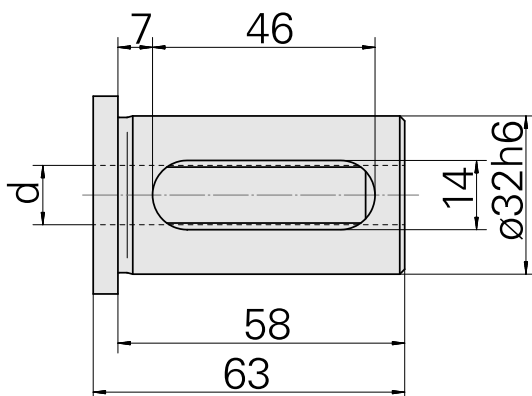
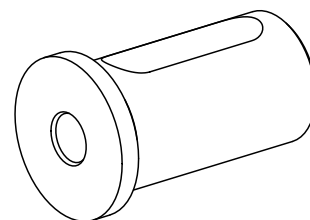


Mounting sleeve with collar D32/ 3/4"

Technical data

TH accessories category	Mounting sleeve with collar
Mounting	D32
Tool mounting	3/4"



Documents

No downloads available for this product