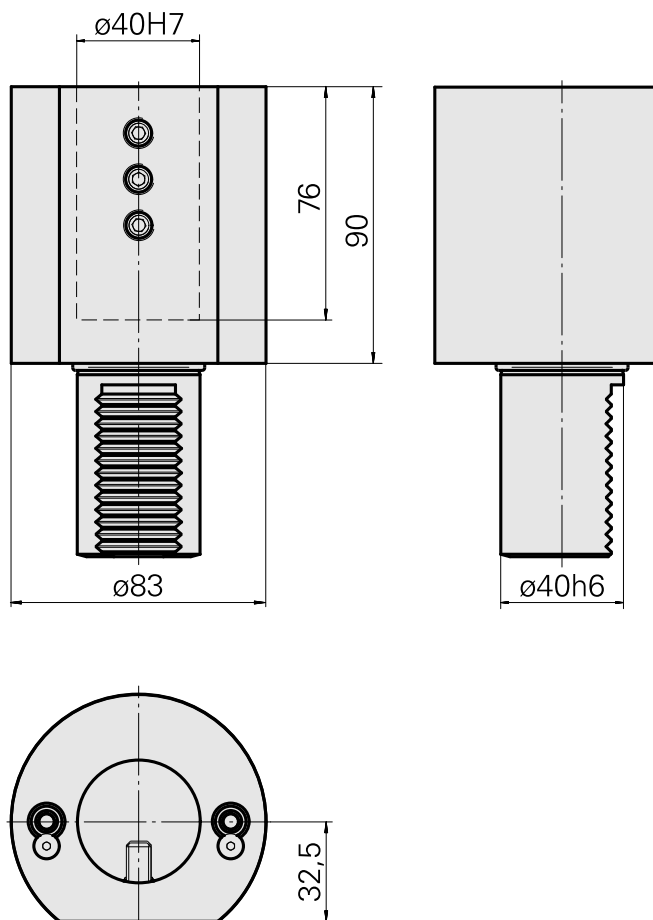
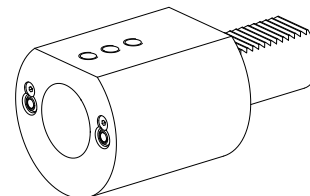


Drilling tool holder VDI 40 D40, Form E2

Technical data

Shank VDI	VDI 40
Drive	not live
Fixation VDI	none
Cooling	external and internal
Pressure	40 bar
Mounting	D40
reversible 180°	no
X [mm]	90 (3.54")
Y [mm]	—
Z [mm]	—
INDEX TRAUB products	TNA400 • B400 • B500 • TNA500.2 • TNA400.2 • TNA400.3 • B400.3 • B500.3 • TNA500.3



Documents

No downloads available for this product

Accessories

Optional accessories

Other accessories

[Mounting sleeve with collar D40](#)

Product ID : 10480161

Previous product ID : W64222.41--

[Mounting sleeve D40 2x holes](#)

Product ID : 10159790

Previous product ID : W64220.02--

[Mounting sleeve D40 3x holes](#)

Product ID : 10789882

Previous product ID : W64221.14--
