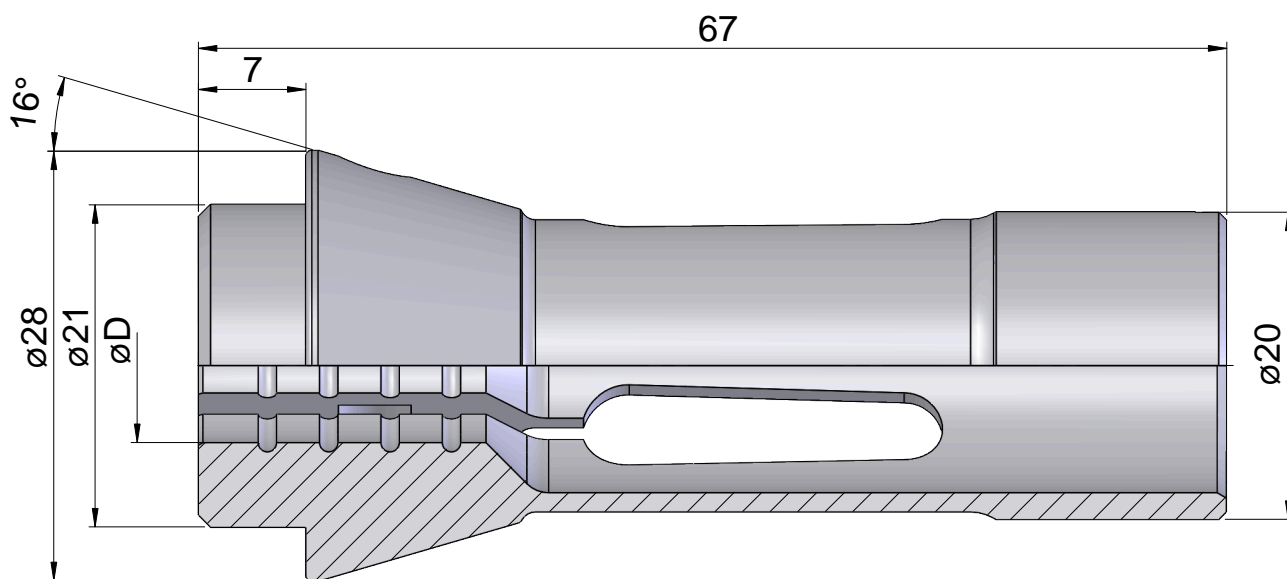
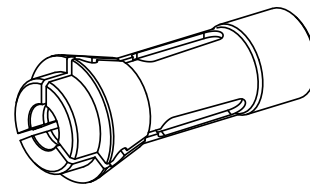


## Clamping collet 138E/F20 Ø=15,00

### Technical data

|                           |                             |
|---------------------------|-----------------------------|
| Clamping device size      | 138E/F20                    |
| manufacturer product line |                             |
| Clamping type             | smooth                      |
| Nominal diameter (mm)     | 15 Millimeter               |
| Clamping method           | External clamping           |
| Collet version            | Slots vulcanized (standard) |
| manufacturer product line | Schlenker                   |



## **Documents**

No downloads available for this product