

## INDEX CAPTO C3 for VC.. 1103.., left, without gripper groove

### Technical data

TH accessories category

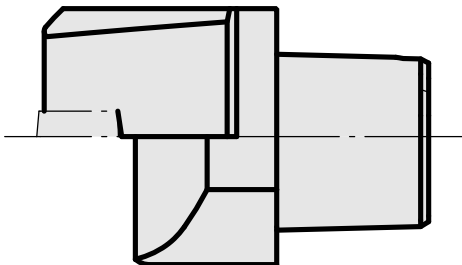
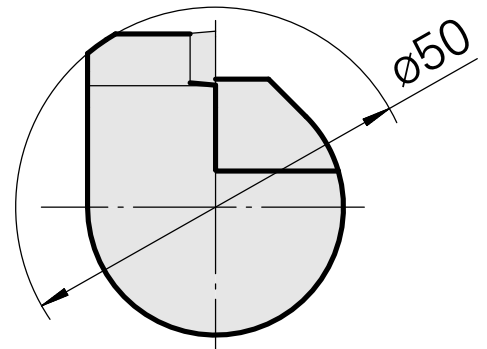
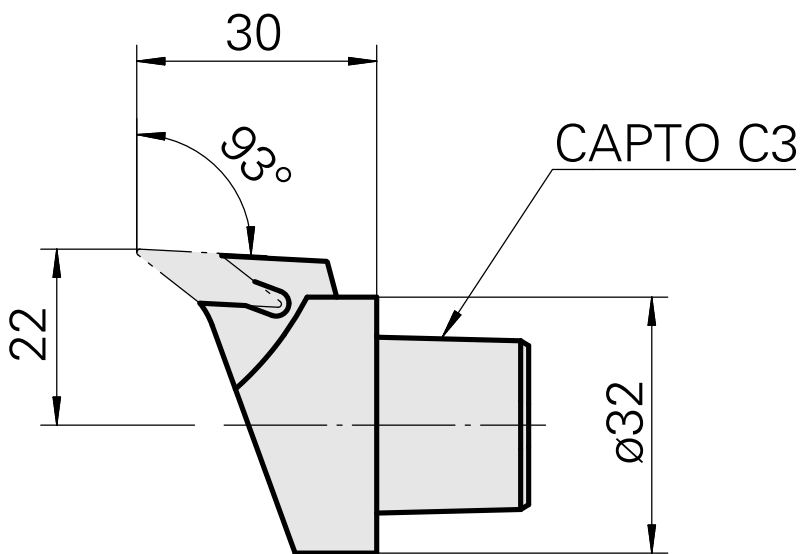
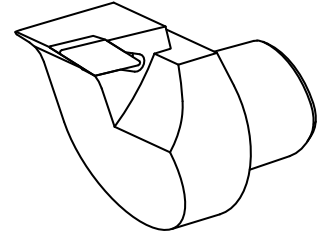
INDEX CAPTO C3

Mounting

for VC.. 1103..

Quick change inserts

Turning tool holder



## Documents

No downloads available for this product

## Accessories

Optional accessories

### Other accessories

[clamping screw](#)

Product ID : 12128417

Previous product ID :

---