

Saw blade, circular saw blade width 1.6 mm (0.06")

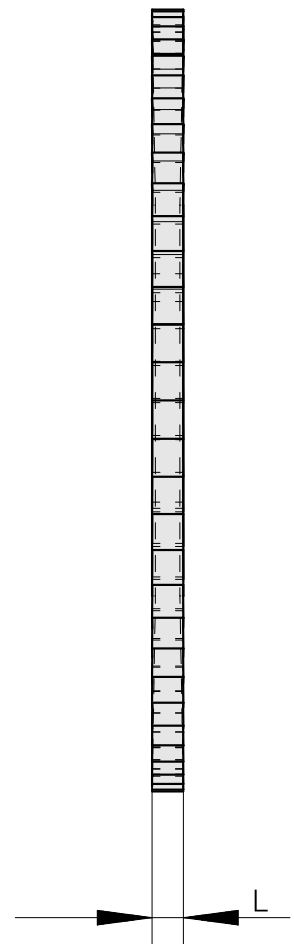
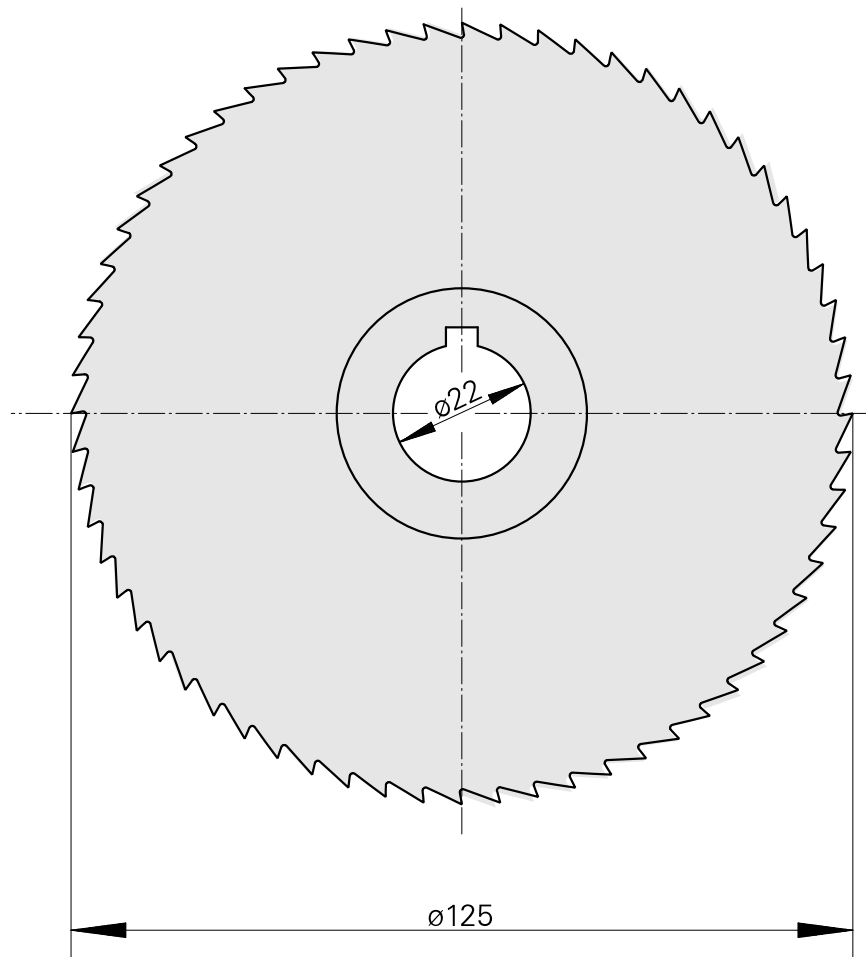
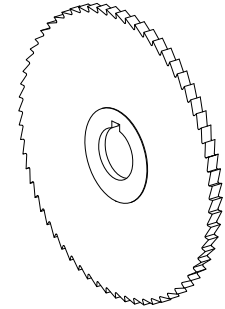
Technical data

TH accessories category

Circular saw blade d125

Tool mounting

22mm



10955373
223015.2516

INDEX

Documents

No downloads available for this product