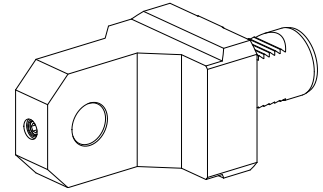


Bar stop VDI 40 D25 (0.98 "), live

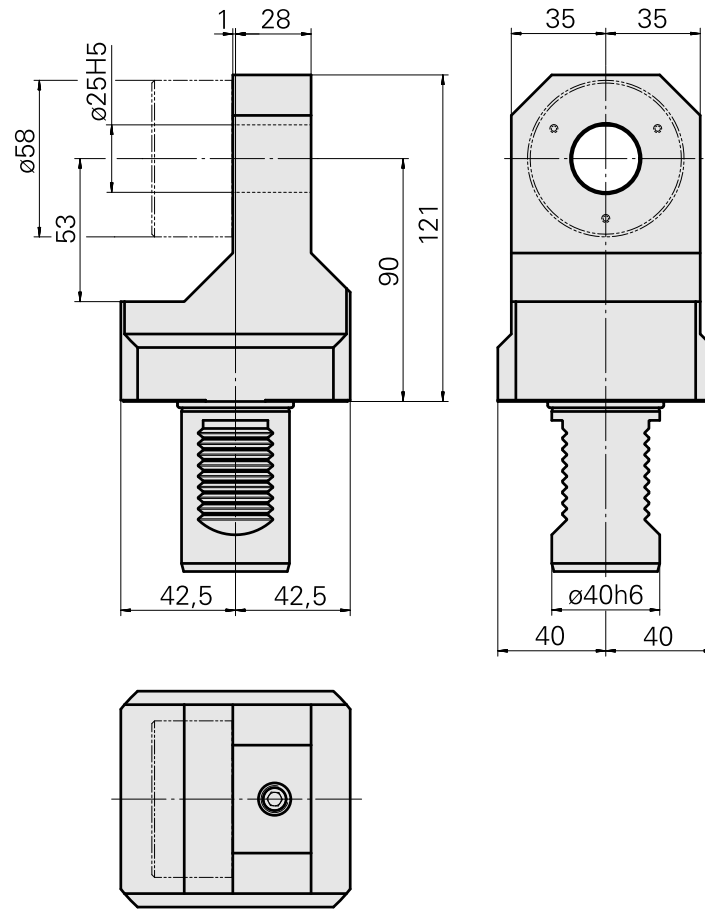
Technical data

Shank VDI	VDI 40
Drive	not live
Fixation VDI	none
Mounting	D25
reversible 180°	yes
Data carrier	check tool station bore
X [mm]	90 (3.54")
Y [mm]	–
Z [mm]	1 (0.04)
INDEX TRAUB products	TNX80 • B400 • B500 • TNA500.2 • G420 • TNA400.2 • G400.2 • G500 • G520 • G300.2 • G320.2 • B400.3 • TNA400.3 • B500.3 • TNA500.3



Note

Bar stop D58 10900227 or D85 10452051 must be ordered separately.



Documents

No downloads available for this product

Accessories

Required for operation

Bar stop D58 (2.28 "), live

Product ID : 10900227

Previous product ID : W9990159

Drive not live	Mounting D58	X [mm] -	Y [mm] -
Z [mm] 30 (1.18)	INDEX TRAUB products C42/65 • G160 • ABC • B400 • C100 • C200 • G200 • G200.2 • G220 • TNX65/42 • TNA400.2 • G420 • B500 • TNA500.2 • G400.2 • G500 • G520 • ABC.2 • G300.2 • G320.2 • G200.3 • G220.3 • TNX200.3 • TNX220.3 • B400.3 • B500.3 • TNA400.3 • TNA500.3		

Bar stop D85 (3.35 "), live

Product ID : 10452051

Previous product ID : W9990160

Drive	Mounting	X [mm]	Y [mm]
not live	D85	–	–
Z [mm] 30 (1.18)	INDEX TRAUB products C42/65 • G160 • ABC • B400 • C100 • C200 • G200 • G200.2 • G220 • G250 • TNX65/42 • TNA400.2 • B500 • TNA500.2 • G420 • G400.2 • G500 • G520 • ABC.2 • G300.2 • G320.2 • B400.3 • B500.3 • TNA400.3 • TNA500.3		

Optional accessories

Other accessories

[Bolt Nr. 4.201.258](#)

Product ID : 10030529

Previous product ID : 468295
