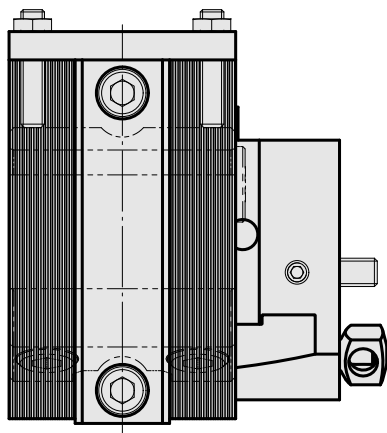
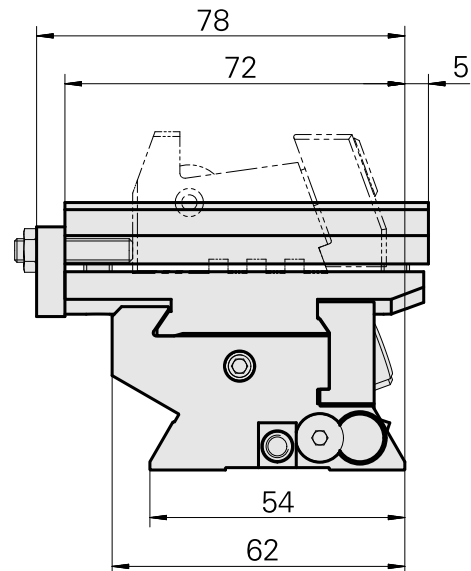
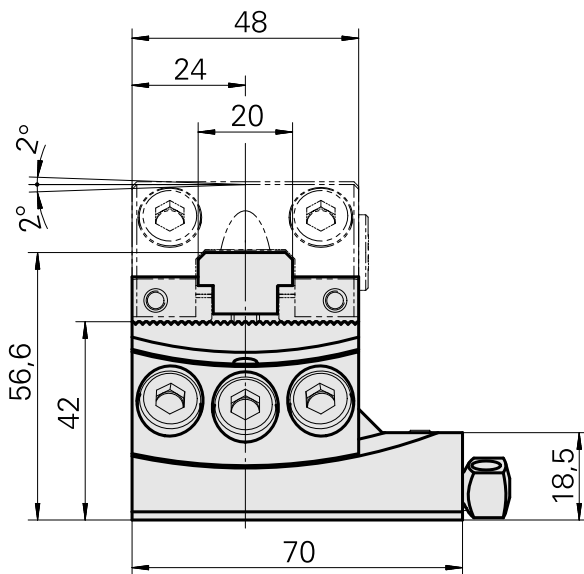
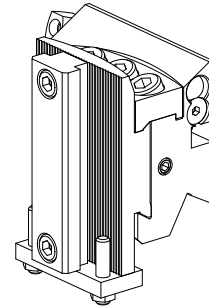


Basic holder Dovetail (ABC), $\pm 2^\circ$

Technical data

Shank VDI	Dovetail (ABC)
Drive	not live
Fixation VDI	none
Pressure	20 bar
reversible 180°	no
X [mm]	42 (1.65")
Y [mm]	-
Z [mm]	0 ()
INDEX TRAUB products	ABC • ABC.2



Documents

No downloads available for this product

Accessories

Optional accessories

Tool holders with VDI shank

[Grooving tool holding block, vertically adjustable](#)

Product ID : 10607061

Previous product ID : W9990055

Drive not live	Cooling external	Pressure 20 bar	X [mm] 30 (1.18")
Y [mm] -	Z [mm] -	INDEX TRAUB products A100 • C42/65 • G160 • ABC • C100 • C200 • G200 • G200.2 • G220 • G250 • ABC.2	

[Grooving tool holding block, vertically adjustable](#)

Product ID : 10463581

Previous product ID : W9990065

Drive not live	Cooling external	Pressure 20 bar	X [mm] 38 (1.50")
Y [mm] -	Z [mm] -	INDEX TRAUB products A100 • C42/65 • G160 • ABC • C100 • C200 • G200 • G200.2 • G220 • G250 • ABC.2	

Other accessories

[BALL 10 G10 N](#)

Product ID : 10147017

Previous product ID : 420800.1000

10792715
W8900007

INDEX

Tube

Product ID : 10694891

Previous product ID : W61012.0110
