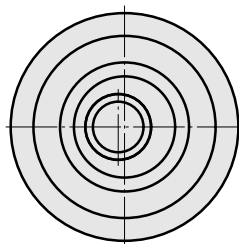
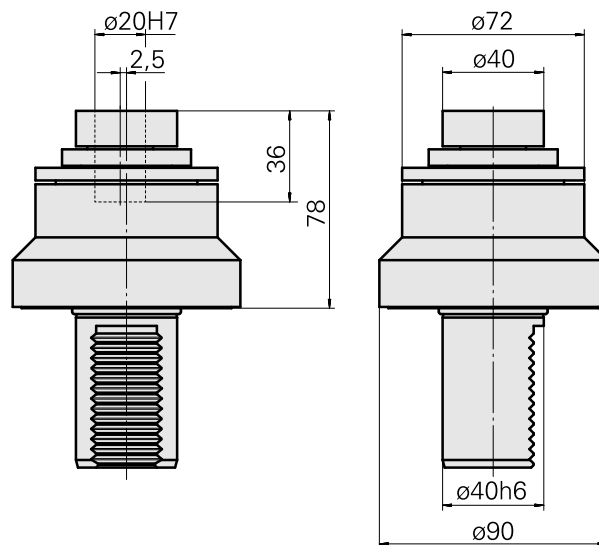
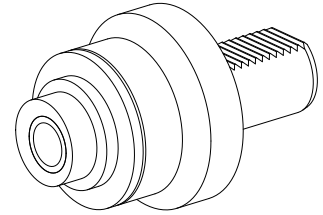


## Reaming tool holder VDI 40 D20 (0.79 "), adjustable

### Technical data

|                             |  |
|-----------------------------|--|
| <b>Shank VDI</b>            | VDI 40   |
| <b>Drive</b>                | not live   |
| <b>Fixation VDI</b>         | none   |
| <b>Cooling</b>              | internal   |
| <b>Pressure</b>             | 40 bar   |
| <b>Mounting</b>             | D20  |
| <b>reversible 180°</b>      | no   |
| <b>X [mm]</b>               | 78 (3.07")   |
| <b>Y [mm]</b>               | –  |
| <b>Z [mm]</b>               | –  |
| <b>Tool turret type</b>     | Radial turret • Disk-type turret   |
| <b>INDEX TRAUB products</b> | G160 • G300 • G400 • V200 • C200<br>• G220 • G250 • V160C • V160G<br>• V300 • TNA400 • B400 • B500 •<br>TNA500.2 • TNA400.2 • TNA400.3<br>• B400.3 • B500.3 • TNA500.3 |



## **Documents**

No downloads available for this product

## **Accessories**

Optional accessories

**Other accessories**

[Clamping sleeve D20](#)

Product ID : 10224403

Previous product ID : 993120.----

---