

## WFB 20-12 Square 12x12, right, without gripper groove

### Technical data

TH accessories category

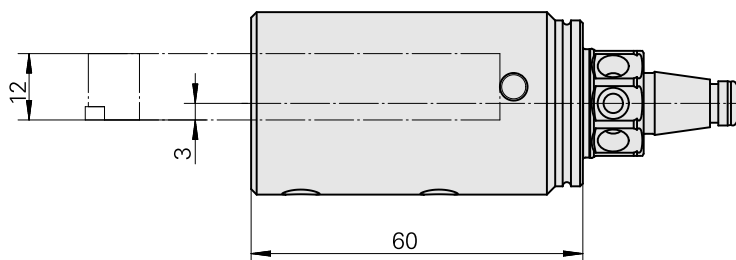
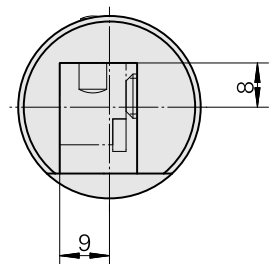
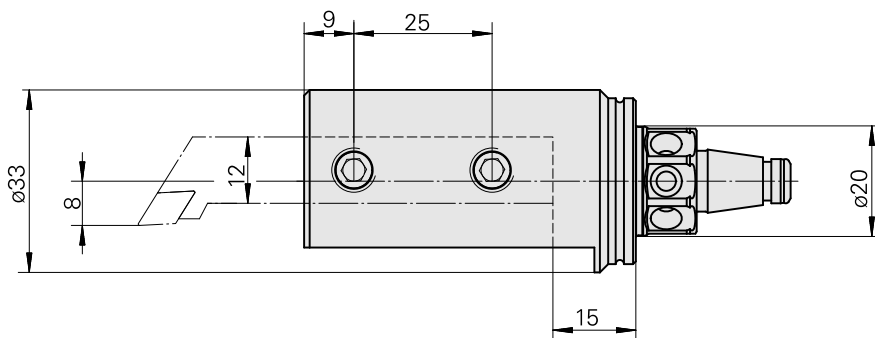
WFB 20-12

Mounting

Square 12x12

Quick change inserts

Turning tool holder



## **Documents**

No downloads available for this product