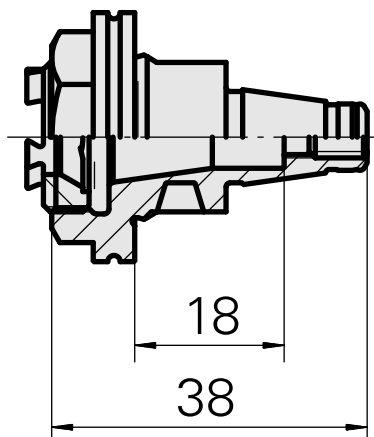
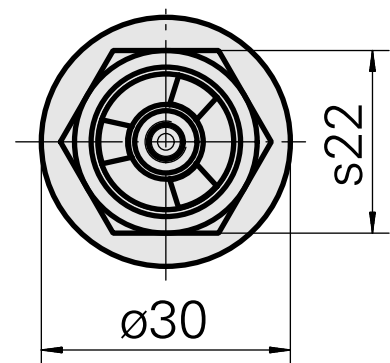
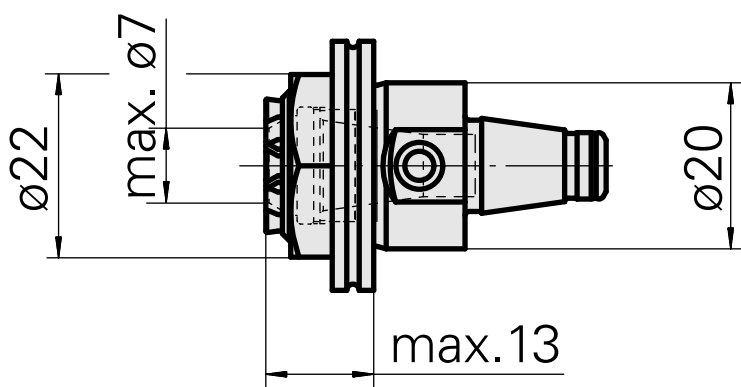
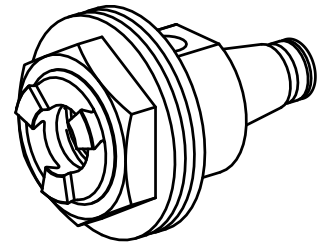


## WFB 20-12 ER11, with internal clamping nut

### Technical data

|                         |                 |
|-------------------------|-----------------|
| TH accessories category | WFB 20-12       |
| Mounting                | ER11            |
| Quick change inserts    | collet mounting |



---

## Documents

No downloads available for this product

## Accessories

Required for operation

### [Spanner](#)

Product ID : 10262607

Previous product ID : 490219.3111

|  |                  |                      |                                  |
|--|------------------|----------------------|----------------------------------|
| TH accessories category<br>Tool                | Mounting<br>ER11 | Collet type<br>ER 11 | Clamping nut type<br>Male thread |
| Tools for Collet chucks<br>Clamping nut wrench |                  |                      |                                  |

### Optional accessories

#### Tool holder accessories

### [Clamping nut](#)

Product ID : 10604420

Previous product ID : 901939.5111

|   |                  |                      |                                  |
|---|------------------|----------------------|----------------------------------|
| TH accessories category<br>Clamping nut | Mounting<br>ER11 | Collet type<br>ER 11 | Clamping nut type<br>Male thread |
|---|------------------|----------------------|----------------------------------|

#### Other accessories

### [Clamping collet](#)

Product ID : 10086829

Previous product ID : 901930.0---

---

### [tapping tool collet ET-1-12](#)

Product ID : 10001911

Previous product ID : 3239--

---

10708109  
W9990113

**INDEX**

---

[tapping tool collet ER11GB](#)

Product ID : 10285407

Previous product ID : 900288

---

[Collet chuck](#)

Product ID : 10132309

Previous product ID : W999064-

---