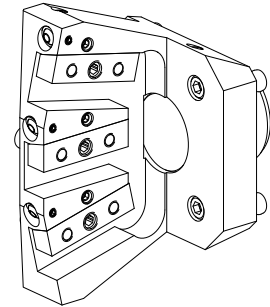


## Turning tool holder KPS 45 Square 12x12, triple

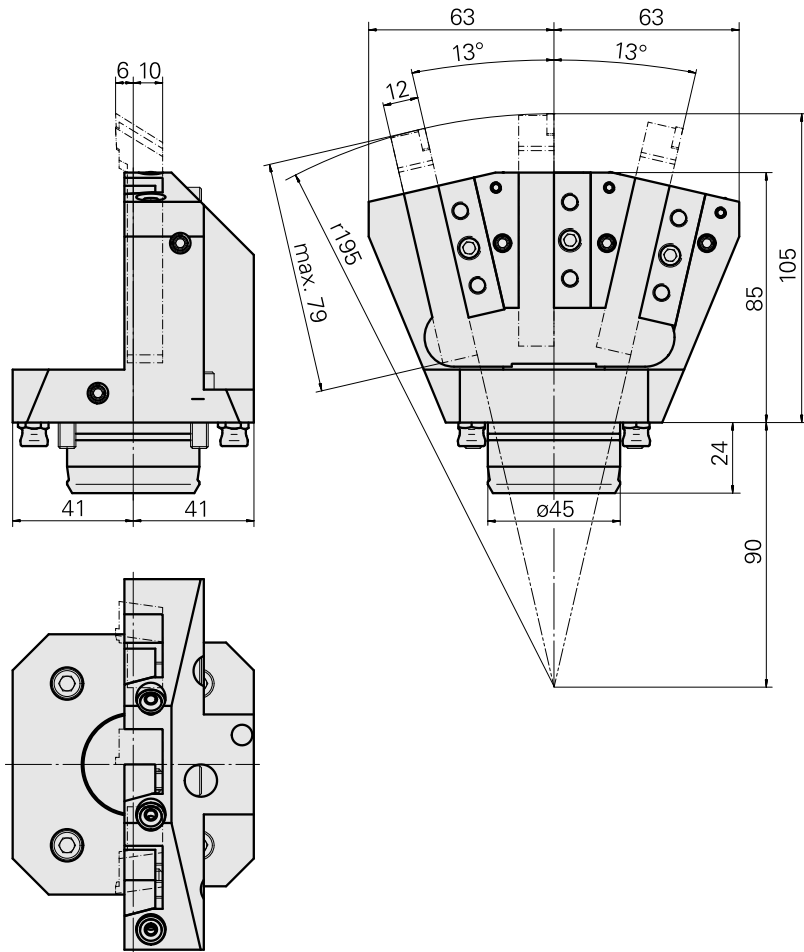
### Technical data

<b>Shank KPS</b>	KPS 45
<b>Drive</b>	not live
<b>Cooling</b>	external
<b>Mounting</b>	Square 12x12
<b>Pressure</b>	10 bar
<b>X [mm]</b>	85 (3.35")
<b>Y [mm]</b>	±13°
<b>Z [mm]</b>	-10 (-0.39)
<b>INDEX TRAUB products</b>	TNL18 • TNL20 • TNL32-11 compact • TNL20-11 • TNL32 compact • TNK40.2-10 • TNK40.2-8 • TNL20.2



### Note

Particularly suitable for use on the rotary axis!  
Particularly suitable for use on the rotary axis!



## **Documents**

No downloads available for this product

## **Accessories**

Optional accessories

### **Other accessories**

#### [BALL SPRAY NOZZLE 10D/M4](#)

Product ID : 10679818

Previous product ID : 474550.0081

---