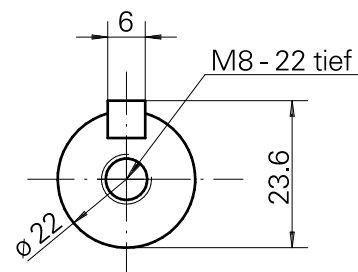
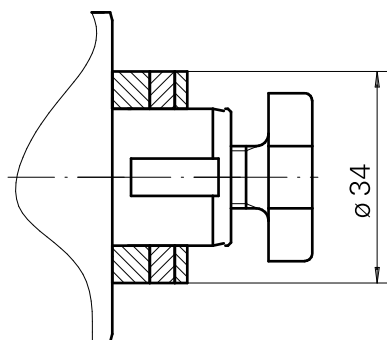
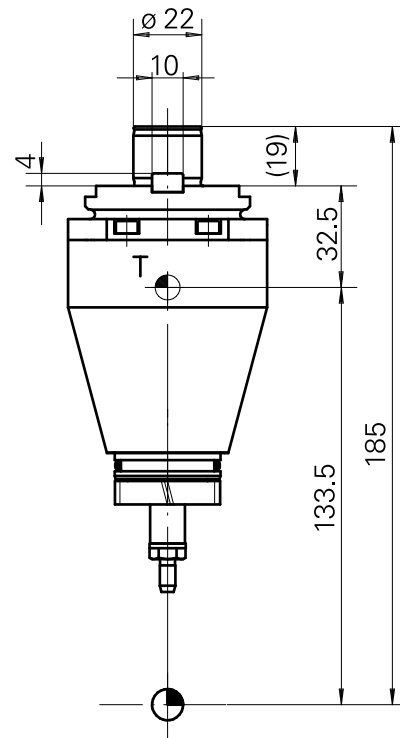
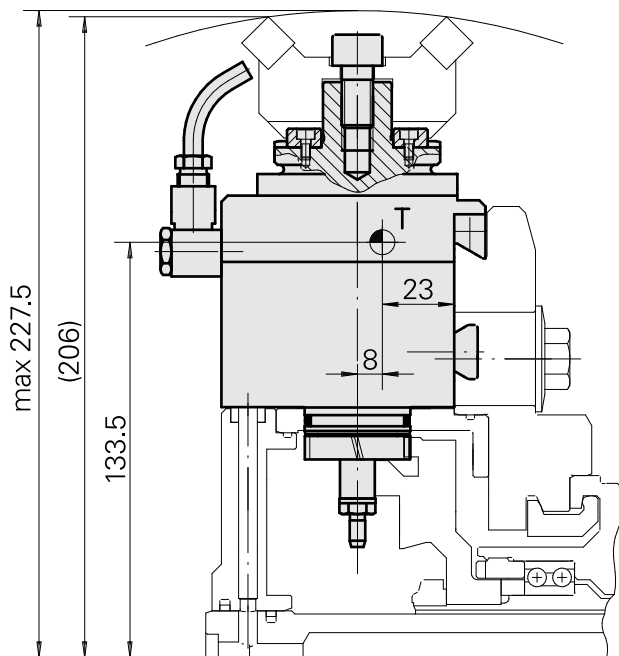
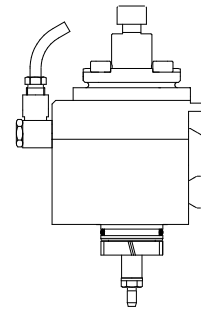


## Milling unit Circular prism 2:1 Milling

### Technical data

<b>Shank TNL</b>	Circular prism
<b>Drive</b>	Overall drive
<b>Fixation TNL</b>	Central tensioning screw
<b>Speed ratio</b>	2:1
<b>Cooling</b>	external
<b>Pressure</b>	30 bar
<b>Mounting</b>	Milling shaft D22
<b>INDEX TRAUB products</b>	TNK36 • TNL26



---

## Documents

No downloads available for this product

## Accessories

### Optional accessories

#### Tool holder accessories

##### [Screw](#)

Product ID : 10638143

Previous product ID : 250122.1028

TH accessories  
category  
Cutter tightening screw

Mounting  
M10

##### [mill arbor wrench](#)

Product ID : 10428155

Previous product ID : 203020.1220

TH accessories  
category  
Tool

Mounting  
Milling shaft D22

Tools for Collet chucks  
Mill arbor wrench

#### Other accessories

##### [Multiple swivel joint M10X1/M10X1/VOG / 506-140](#)

Product ID : 10829996

Previous product ID : 314431

---

##### [Conical ring 6D](#)

Product ID : 10057204

Previous product ID : 314739

---

##### [Cap screw 406-612](#)

Product ID : 10067675

Previous product ID : 314740

---

10677730  
983614

**INDEX**

---

Tube 100LG

Product ID : 10929574  
Previous product ID : 818617

---

Spanner SW 46

Product ID : 10160620  
Previous product ID : 981969

---