

## Presetting device /INDEX CAPTO C3

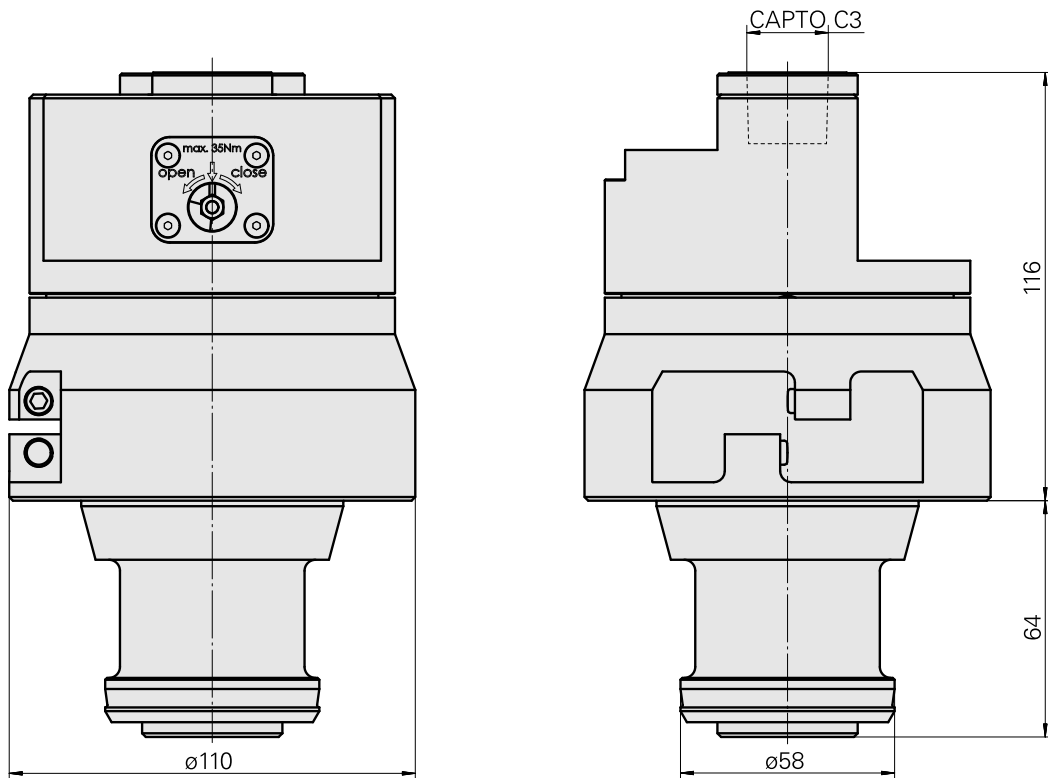
### Technical data

TH accessories category

Adapter pre-adjustment block

Tool mounting

CAPTO C3



## **Documents**

No downloads available for this product