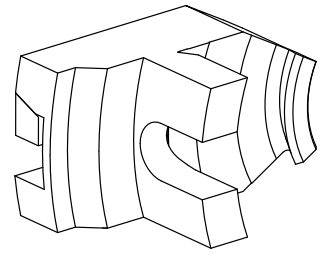


## Grooving tool holder Circular prism Squa

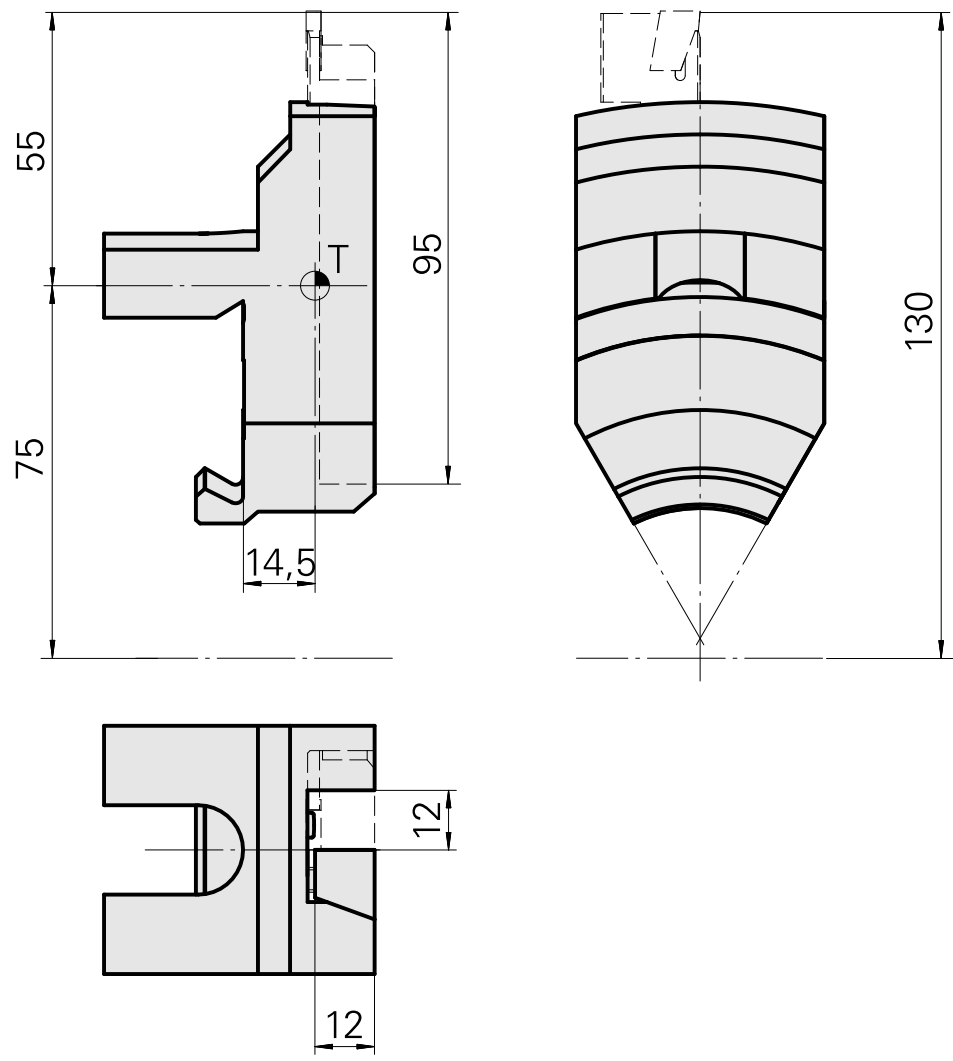
### Technical data

<b>Shank TNL</b>	Circular prism
<b>Drive</b>	not live
<b>Fixation TNL</b>	Central tensioning screw
<b>Mounting</b>	Square 12x12
<b>reversible 180°</b>	no
<b>X [mm]</b>	55 (2.17")
<b>Y [mm]</b>	–
<b>Z [mm]</b>	0 ()
<b>INDEX TRAUB products</b>	TNL12 • TNL12.2



### Note

Only for clockwise rotation!



10652929  
950543

**INDEX**

---

## **Documents**

No downloads available for this product