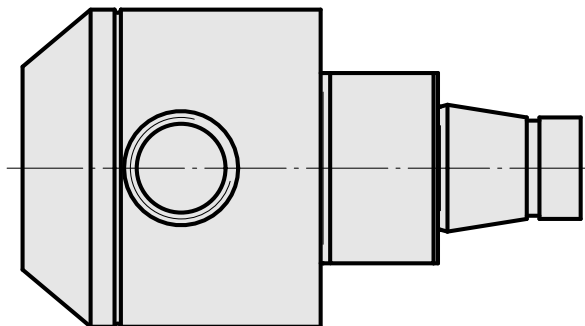
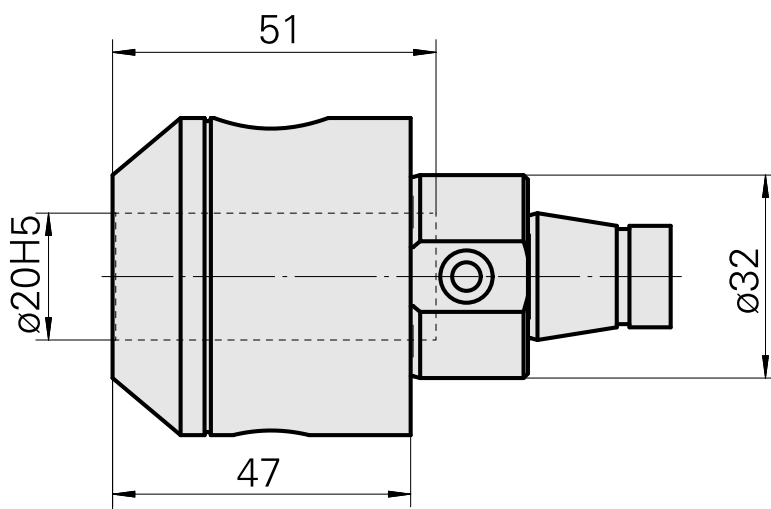
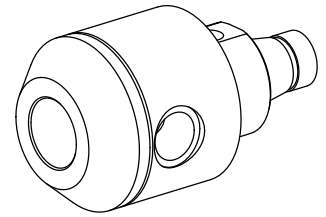


WFB 32-20 D20

Technical data

刀座附件类别
夹具
快换夹头

WFB 32-20
D20
Weldon刀柄



Documents

No downloads available for this product

Accessories

Optional accessories

Other accessories

[带肩安装套 D20](#)

Product ID : 10063939

Previous product ID : W68510.04--
