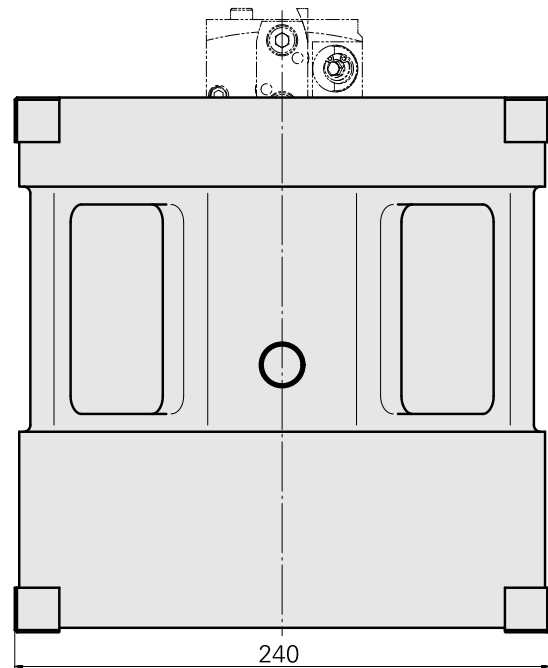
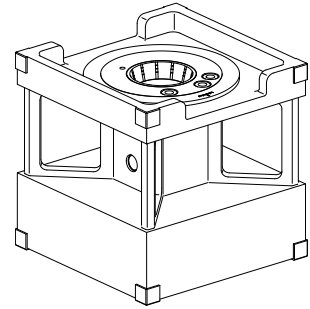


Block

Technical data

TH accessories category

Pre-adjustment block



Documents

Product notes

[DE \(pdf\)](#)

[EN \(pdf\)](#)

[FR \(pdf\)](#)

Accessories

Optional accessories

Tool holder accessories

[Mount TNL18/TNL20/TNL32 compact/TNK40.2](#)

Product ID : 11008063

Previous product ID : W9990195

TH accessories
category
Adapter pre-
adjustment block

Tool mounting
Compact shank 45/
Shank 36 • Compact
shank 45/Shank 36

INDEX TRAUB products
TNL32 compact •
TNL20 • TNL18 •
TNK40.2

[Mount TNL32/TNK42](#)

Product ID : 10826369

Previous product ID : W9990505

TH accessories
category
Adapter pre-
adjustment block

Tool mounting
Compact shank 45/
Shank 36

INDEX TRAUB products
TNL32

[Mount](#)

Product ID : 10655070

Previous product ID : W9990497

TH accessories
category
Adapter pre-
adjustment block

Tool mounting
HSK 40

Mount

Product ID : 10785347

Previous product ID : W9990498

TH accessories
category
Adapter pre-
adjustment block

Tool mounting
HSK 50

Mount HSK63

Product ID : 10643359

Previous product ID : W9990499

TH accessories
category
Adapter pre-
adjustment block

Tool mounting
HSK 63

Presetting device /INDEX CAPTO C3

Product ID : 10657991

Previous product ID : W9990998

TH accessories
category
Adapter pre-
adjustment block

Tool mounting
CAPTO C3

Adaptor

Product ID : 12166212

Previous product ID :

TH accessories
category
Adapter pre-
adjustment block

Tool mounting
CAPTO C6

Mount VDI20

Product ID : 10364694

Previous product ID : W9990191

TH accessories
category
Adapter pre-
adjustment block

Tool mounting
VDI 20

[Mount VDI25](#)

Product ID : 10491250

Previous product ID : W9990192

TH accessories
category
Adapter pre-
adjustment block

Tool mounting
VDI 25

[Mount VDI30](#)

Product ID : 10300226

Previous product ID : W9990193

TH accessories
category
Adapter pre-
adjustment block

Tool mounting
VDI 30

[Mount VDI40](#)

Product ID : 10946082

Previous product ID : W9990194

TH accessories
category
Adapter pre-
adjustment block

Tool mounting
VDI 40