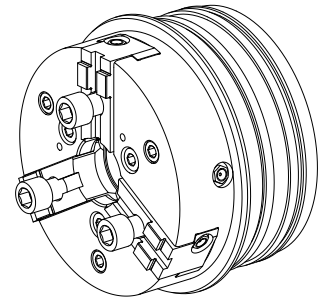

Chuck D140 3B H3,2

Technical data

There are currently no additional technical features stored for this product



No 3-side view is currently available for this product

10409504
908127.4462

INDEX

Documents

No downloads available for this product