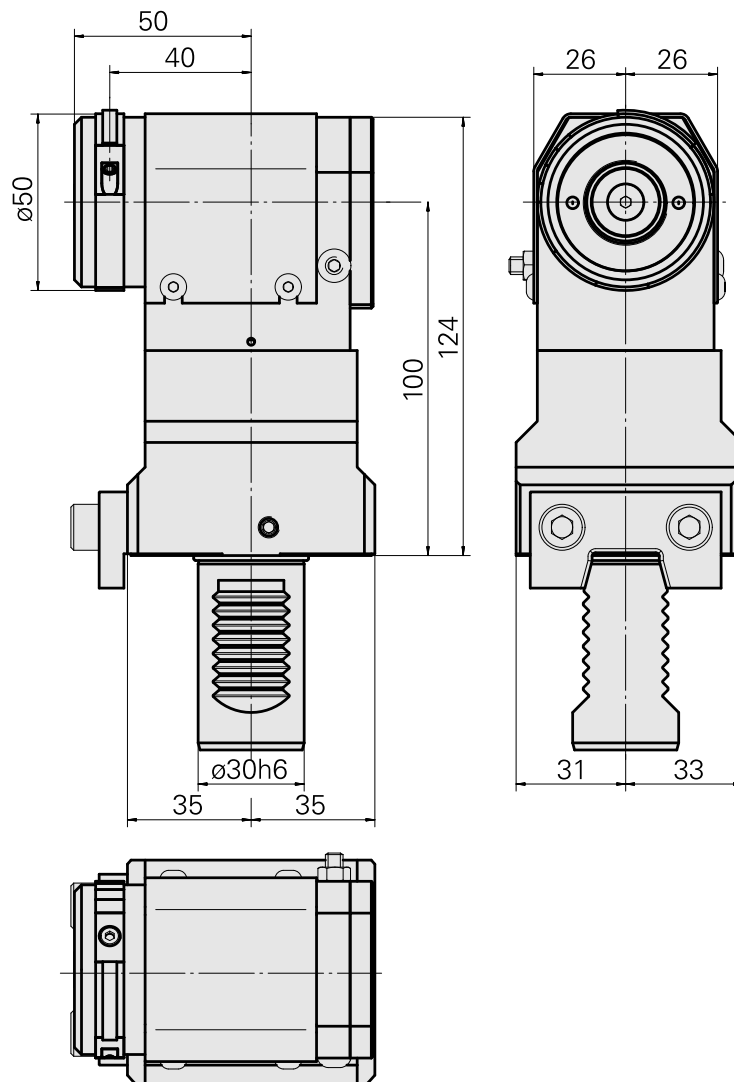
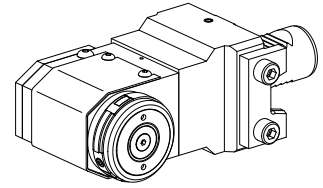


Embossing roll holder VDI 30

Technical data

| | |
|----------------------|-----------------------------|
| Shank VDI | VDI 30 |
| Drive | not live |
| Fixation VDI | Vee bar |
| reversible 180° | yes |
| Data carrier | check tool station bore |
| X [mm] | 100 (3.94") |
| Y [mm] | - |
| Z [mm] | - |
| INDEX TRAUB products | G160 • G300 • A200-6 • G250 |



Documents

No downloads available for this product

Accessories

Optional accessories

Tool holder accessories

[Embossing roller, D50 mm \(1.96"\)](#)

Product ID : 10609077

Previous product ID : W63380.0030

TH accessories
category
Embossing roller

[Embossing roller, D60 mm \(2.36"\)](#)

Product ID : 10446615

Previous product ID : W63380.0060

TH accessories
category
Embossing roller

Other accessories

[Setting gauge](#)

Product ID : 10677697

Previous product ID : W68220.4150

[Stop bar](#)

Product ID : 10713062

Previous product ID : W68220.4104

[Clamping bar](#)

Product ID : 10967524

Previous product ID : W68220.4106

10297492
W1330013

INDEX

ZI_SCREW 8X16

Product ID : 10360891

Previous product ID : 410260.0816
