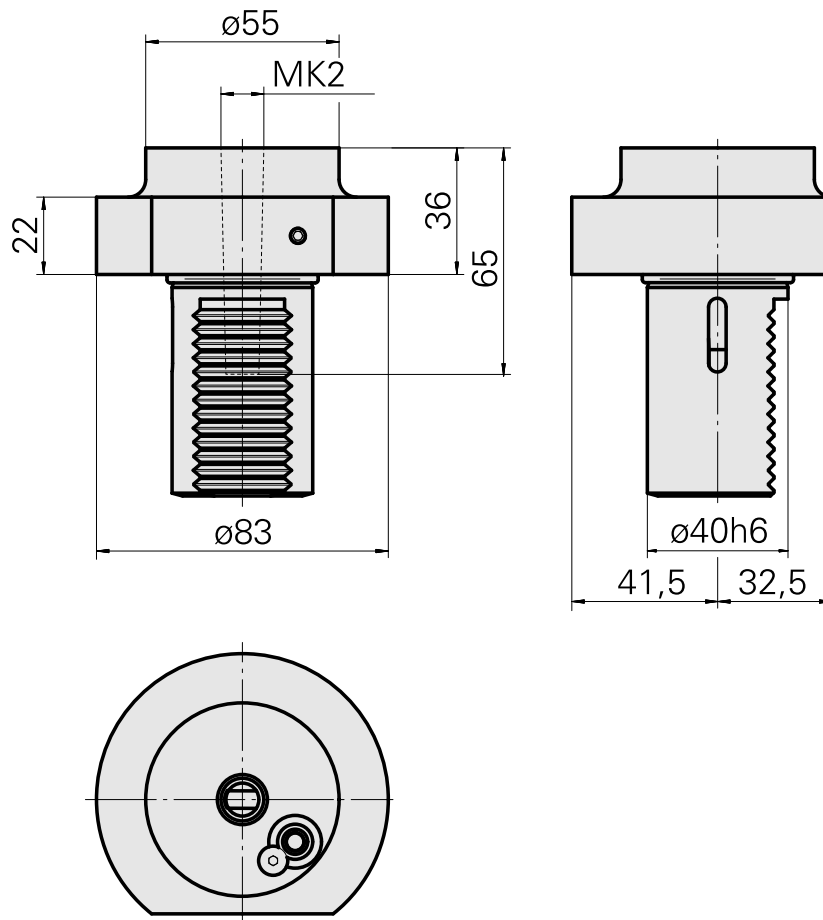
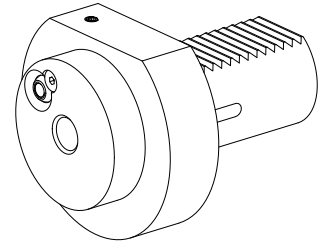


## Drilling tool holder VDI 40 MK2

### Technical data

<b>Shank VDI</b>	VDI 40
<b>Drive</b>	not live
<b>Fixation VDI</b>	none
<b>Cooling</b>	internal
<b>Pressure</b>	20 bar
<b>Mounting</b>	MK2
<b>reversible 180°</b>	no
<b>X [mm]</b>	36 (1.42")
<b>Y [mm]</b>	–
<b>Z [mm]</b>	–
<b>INDEX TRAUB products</b>	V200 • V160C • V160G • V300 • TNA400 • B400 • B500 • TNA500.2 • TNA400.2 • TNA400.3 • B400.3 • B500.3 • TNA500.3



10268157  
W1400004

**INDEX**

---

## **Documents**

No downloads available for this product