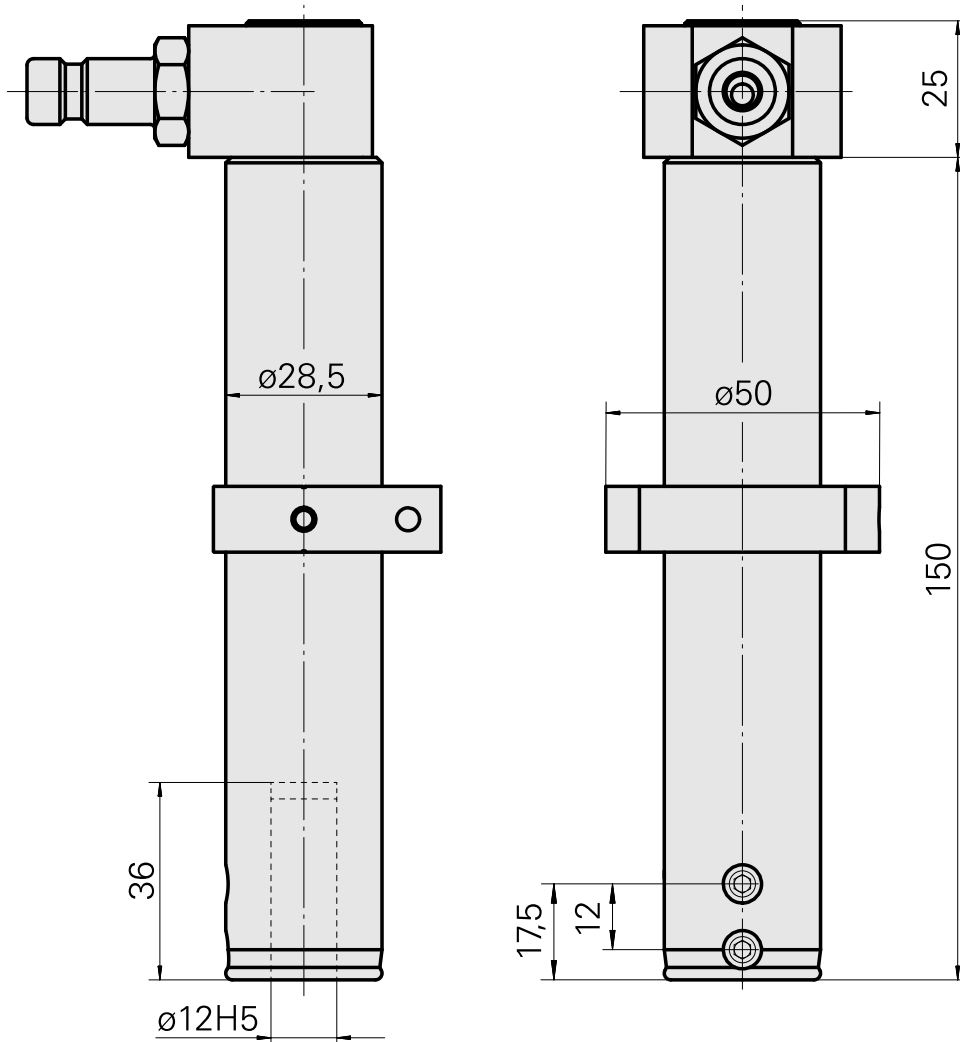
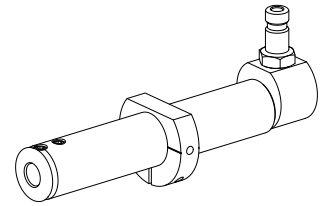


## Drilling tool holder D12

### Technical data

<b>Drive</b>	not live
<b>Fixation MS</b>	Clamping ring D28.5
<b>Cooling</b>	internal
<b>Pressure</b>	80 bar
<b>Mounting</b>	D12
<b>X [mm]</b>	-
<b>Y [mm]</b>	-
<b>Z [mm]</b>	-
<b>INDEX TRAUB products</b>	A100 • MS16-6 • MS22-6 • MS22-8 • MS24-6 • MS16-6 Plus



## Documents

No downloads available for this product

## Accessories

Optional accessories

### Other accessories

#### [Mounting sleeve with collar D12](#)

Product ID : 11060576

Previous product ID : W94280.21--

---

#### [QUICK COUPLING SP-006-0-WR513-11-2 Serie LP](#)

Product ID : 10837142

Previous product ID : 474940.0112

---

#### [QUICK DISCONNECT FITTING SP-006-1-WR013-11 Serie LP](#)

Product ID : 10186287

Previous product ID : 474946.25

---