

## Adapter mounting aid VDI 25

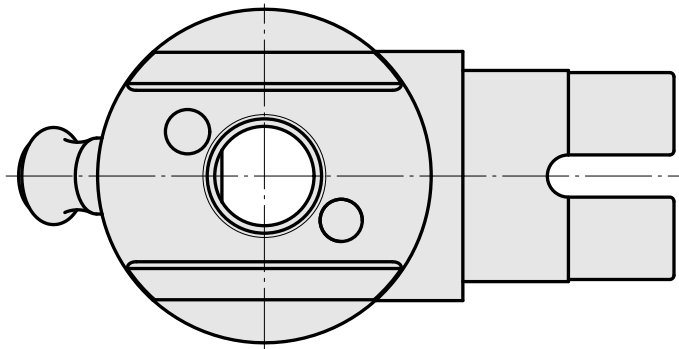
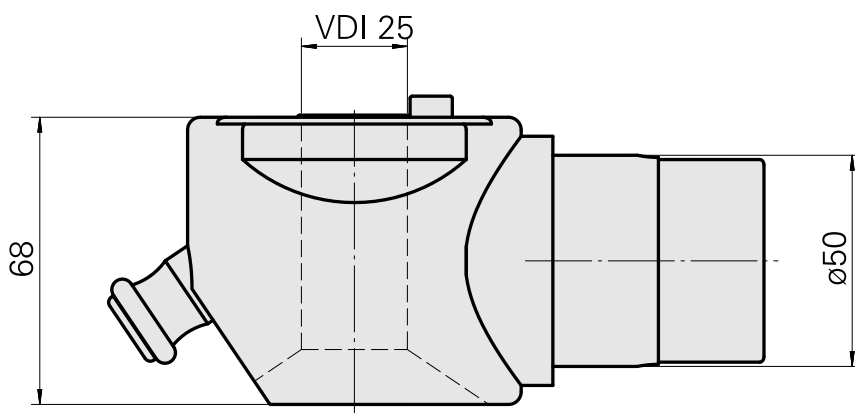
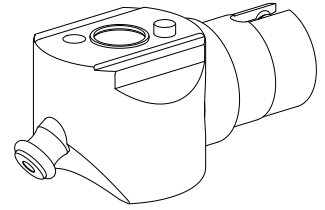
### Technical data

TH accessories category

Adapter mounting aid

Tool mounting

VDI 25



## **Documents**

No downloads available for this product