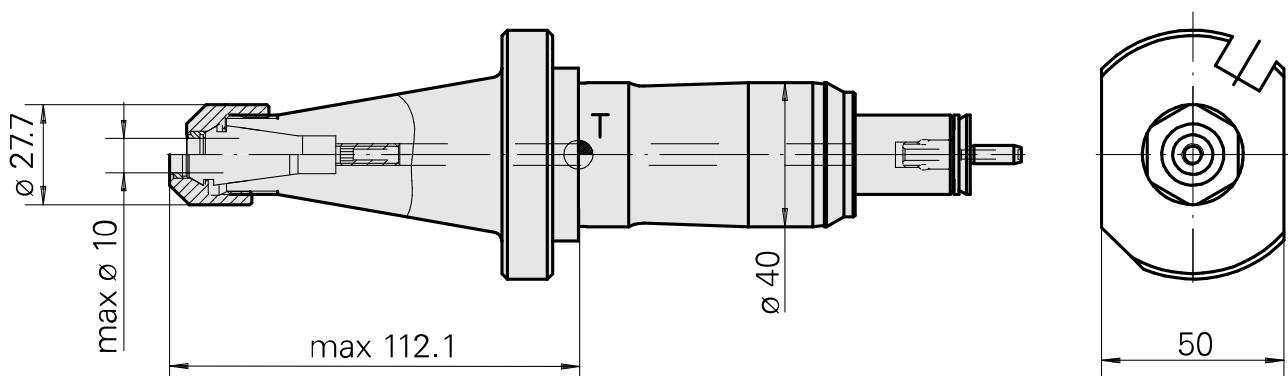
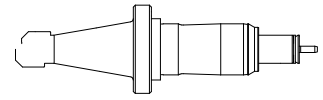


Drilling tool holder Shank 40 ER16

Technical data

Shank TNL	Shank 40
Drive	not live
Cooling	internal
Pressure	120 bar
Mounting	ER16
INDEX TRAUB products	TNK36 • TNL26



Documents

No downloads available for this product

Accessories

Required for operation

[Spanner](#)

Product ID : 10966369

Previous product ID : 490219.0161

TH accessories category Tool	Mounting ER16	Collet type ER 16	Clamping nut type Female thread
Tools for Collet chucks Clamping nut wrench			

Optional accessories

Zubehör für Werkzeughalter

[Spannmutter M22X1,5, für innere Kühlschmierstoffversorgung](#)

Product ID : 11065621

Previous product ID : 901939.3161

WZH Zubehörkategorie Spannmutter	Aufnahme ER16	Spannzangentyp ER16	Spannmuttertyp Innengewinde
-------------------------------------	------------------	------------------------	--------------------------------

Other accessories

[Clamping collet](#)

Product ID : 10589709

Previous product ID : W99903--

[Spannzangen ER16 0,5-10 D](#)

Product ID : 10834596

Previous product ID : 901930.1---

[Gewindebohrzangen ER16-GB](#)

Product ID : 10865233
Previous product ID : WZ9990.9506F

[Gewindebohrzangen ET-1-16](#)

Product ID : 10542491
Previous product ID : 3230--

[Schrumpfspannzangen ER16](#)

Product ID : 10870393
Previous product ID : W999065-

[Spannzangen ER16 abgedichtet](#)

Product ID : 10433061
Previous product ID : W999083-

[Dichtscheiben ER16](#)

Product ID : 10324863
Previous product ID : W999036-
