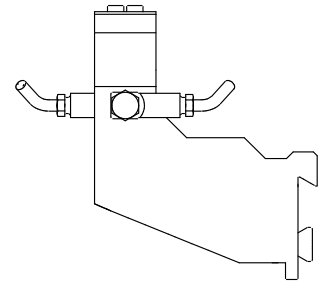

Drilling tool holder Circular prism D20

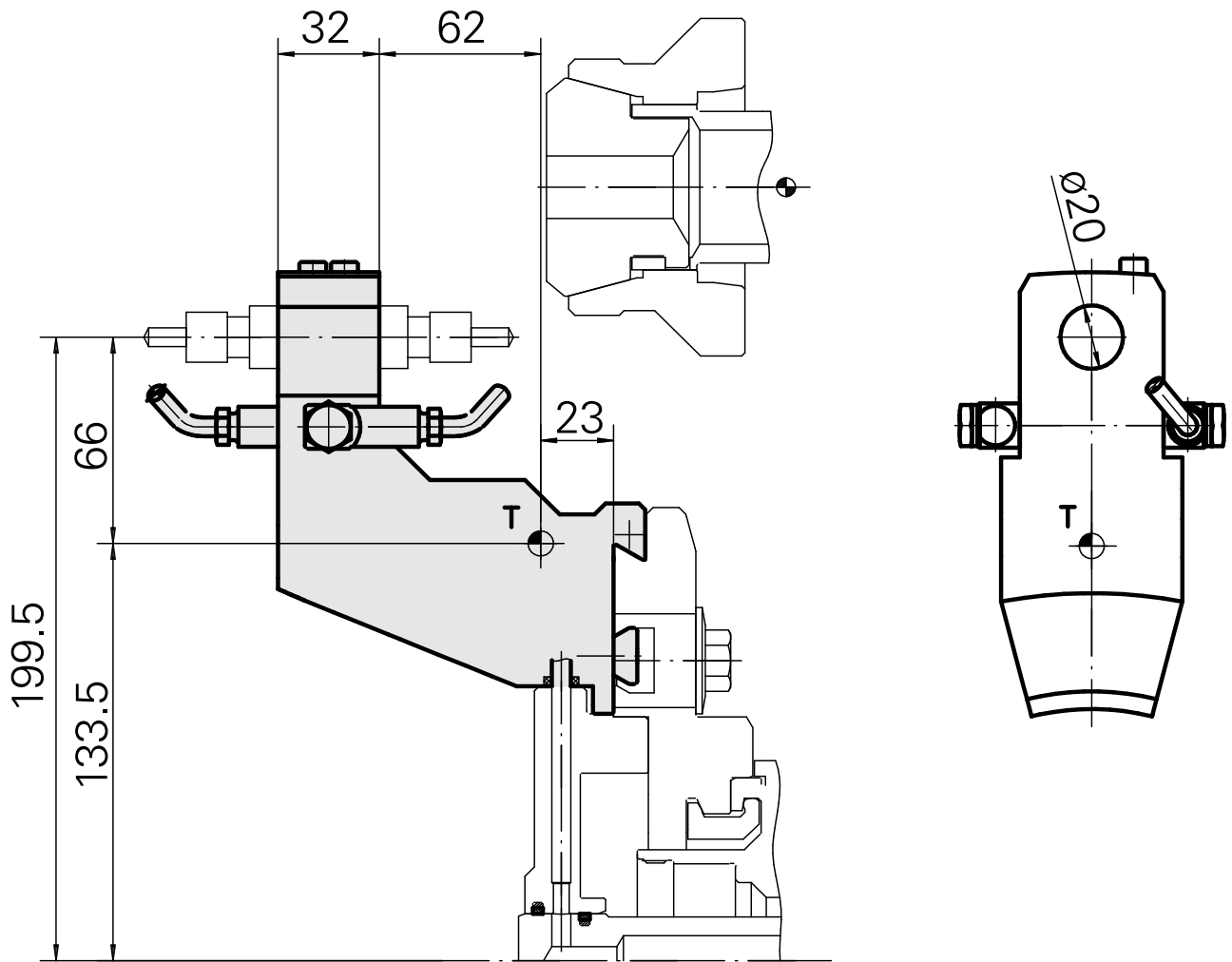
Technical data

| | |
|-----------------------------|--------------------------|
| Shank TNL | Circular prism |
| Drive | not live |
| Fixation TNL | Central tensioning screw |
| Cooling | external |
| Pressure | 30 bar |
| Mounting | D20 |
| INDEX TRAUB products | TNK36 • TNL26 |



Note

A collision check must be carried out before use!



10165823
984690

INDEX

Documents

No downloads available for this product