

## Turning tool holder KPS 45 square 20x20

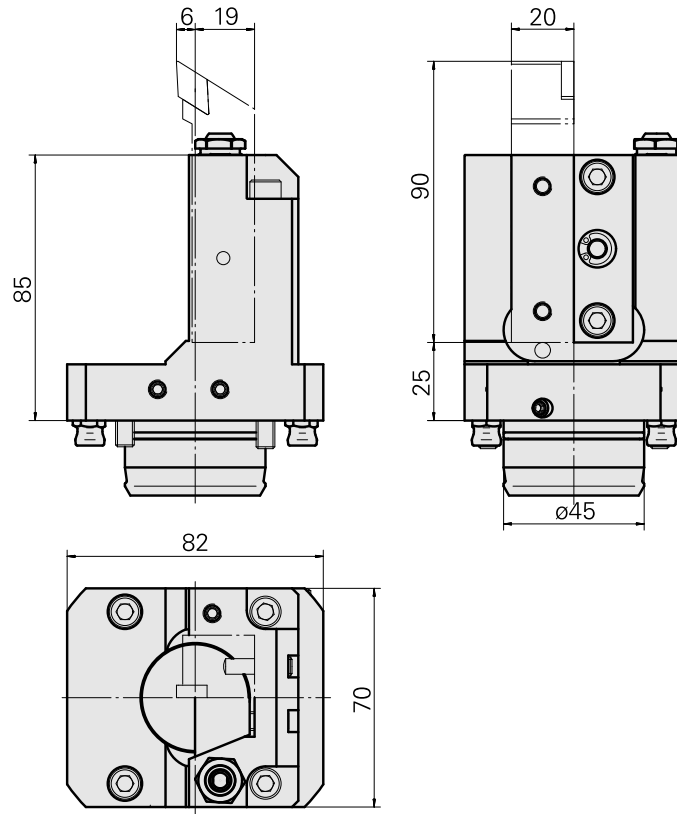
### Technical data

<b>Shank KPS</b>	KPS 45
<b>Drive</b>	not live
<b>Cooling</b>	external, internal optional
<b>Mounting</b>	Square 20x20
<b>Pressure</b>	80 bar, internal 160 bar opt.
<b>X [mm]</b>	85 (3.35")
<b>Y [mm]</b>	–
<b>Z [mm]</b>	-19 (-0.75)
<b>INDEX TRAUB products</b>	TNL20 • TNL32 • TNL18 • TNL32-11 • TNL32-11 compact • TNL20-11 • TNL32 compact • TNK40.2-10 • TNK40.2-8 • TNL20.2



### Note

Internal cooling lubricant supply with 160 bar is possible only on stations with an additional fluid-transfer station!  
Internal cooling lubricant supply with 160 bar is possible only on stations with an additional fluid-transfer station!



---

## Documents

No downloads available for this product

## Accessories

### Optional accessories

#### Tool holder accessories

#### [Coolant tube, L=100 mm \(3.93"\)](#)

Product ID : 10346684

Previous product ID : W9990559

TH accessories  
category  
Cooling lubricant tube

Mounting  
M6

#### Other accessories

#### [Coolant Nozzle](#)

Product ID : 11031912

Previous product ID : W67500.3208

---

#### [Nozzle Kugel D10 - Bohrung D2 40°](#)

Product ID : 10072335

Previous product ID : 910693

---

#### [BUSHING 10 D x 6 D x 12,5](#)

Product ID : 10670360

Previous product ID : W67530.0824

---

#### [HOLLOW SCREW M14x1 M14x1](#)

Product ID : 10105238

Previous product ID : W67530.0818

---

10081299  
W7040108

**INDEX**

---

[Nozzle M6 mit D1,6](#)

Product ID : 10147428

Previous product ID : W00019.0216

---