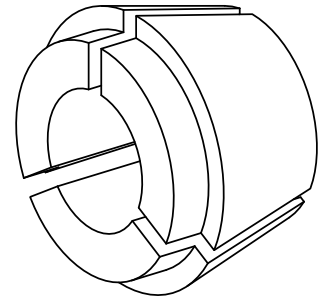

segment pliers SZ42 D=42,5mm

Technical data

Clamping device size	SZ42
Clamping type	smooth
Nominal diameter (mm)	42.5 Millimeter
Clamping method	External clamping



No 3-side view is currently available for this product

Documents

No downloads available for this product