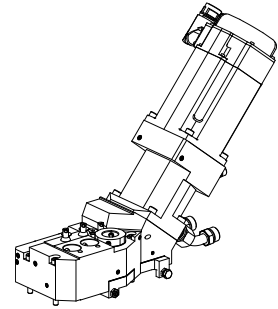


Back end unit MS24 1:1,8 2x D22 – 1x WF

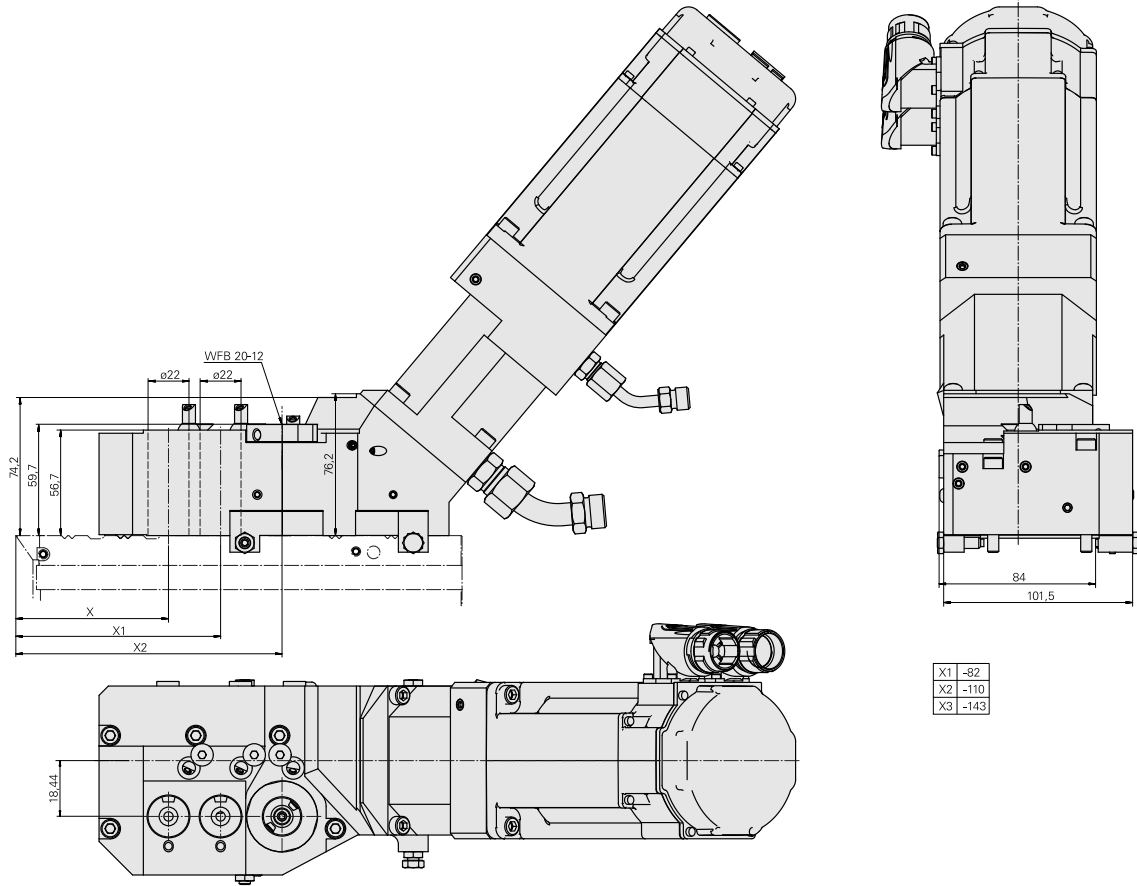
Technical data

Slide system MS	MS24
Drive	Direct drive
Fixation MS	W serration
Speed ratio	1:1,8
Cooling	external and internal
Pressure	30 bar
Mounting	2x D22 – 1x WFB 20-12
X [mm]	–
Y [mm]	–
Z [mm]	–
INDEX TRAUB products	MS24-6



Note

Can be used only in position 6.2! The unit must be connected to a central lubrication system! The unit may only be used in combination with any of the specified motors and the corresponding UNIT!
 Motor (AC), 3.53 Nm – 11093897 (Kollmorgen AKM42G-ANSNS-02) included.
 UNIT 106



Documents

Product notes

[DE \(pdf\)](#)

[EN \(pdf\)](#)

[FR \(pdf\)](#)

[PT \(pdf\)](#)

Accessories

Required for operation

[Electr assembly parts](#)

Product ID : 10212098

Previous product ID : GM5102.0267

Optional accessories

MS tool holders

[Blanking plug](#)

Product ID : 10633382

Previous product ID : W9990304

Drive not live	Fixation MS Shank D22	X [mm] 13 (0.51")	Y [mm] -
Z [mm] -	INDEX TRAUB products MS22-6 • MS22-8 • MS32-6.2 • MS40-6 • MS32C • MS32-6.3		

AKM-Motors

[AC-Motor 3,53Nm6000 600V](#)

Product ID : 11093897

Previous product ID : 481210.0503

manufacturer product line Kollmorgen	Electrical assemblies Servomotor	manufacturer product line AKM	Length 165.8 Millimeter
Width 84 Millimeter	Height 116 Millimeter	Voltage 600 Volt	Voltage type AC~
(Nominal) speed (rpm) 6000 1/minute	Rated power W 1370 Watt	(Stall) torque [Nm] 3.53 Newton/meter	Plug connection/type M23 (size 1 / encoder)
Encoder type Increment	Brake no – unbraked		

Other accessories[Quick-Change Insert](#)

Product ID : 10969798

Previous product ID : WM9990.2200F

[Grub screw](#)

Product ID : 10524071

Previous product ID : 410191.0810

[Lubrication pipe L=20](#)

Product ID : 10510228

Previous product ID : M11451.40

[Countersunk screw](#)

Product ID : 10692296

Previous product ID : 410362.0612

[Adapter WFB 20-12 shrinking](#)

Product ID : 10477939

Previous product ID : 904006

[Adapter WFB 20-12 Weldon](#)

Product ID : 10221340

Previous product ID : 904007

[Adapter WFB 20-12 with collet mounting](#)

Product ID : 10625654

Previous product ID : 904008

[Adapter WFB 20-12 Hydr. expansion chuck](#)

Product ID : 10566889

Previous product ID : 904010

[WFB for Turning tool holder](#)

Product ID : 10146029

Previous product ID : 904011

[WFB for tap chuck](#)

Product ID : 11004600

Previous product ID : WZ9990.9613F

[WFB miscellaneous mountings](#)

Product ID : 10243177

Previous product ID : WZ9990.9612F

[TORX SCREW M6 X 7MM M 6x1x7](#)

Product ID : 10004947

Previous product ID : 326171
