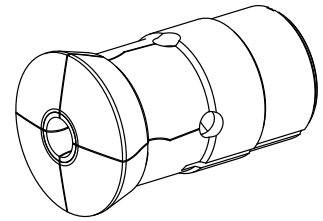


Guide bush T229 Ø=8,00

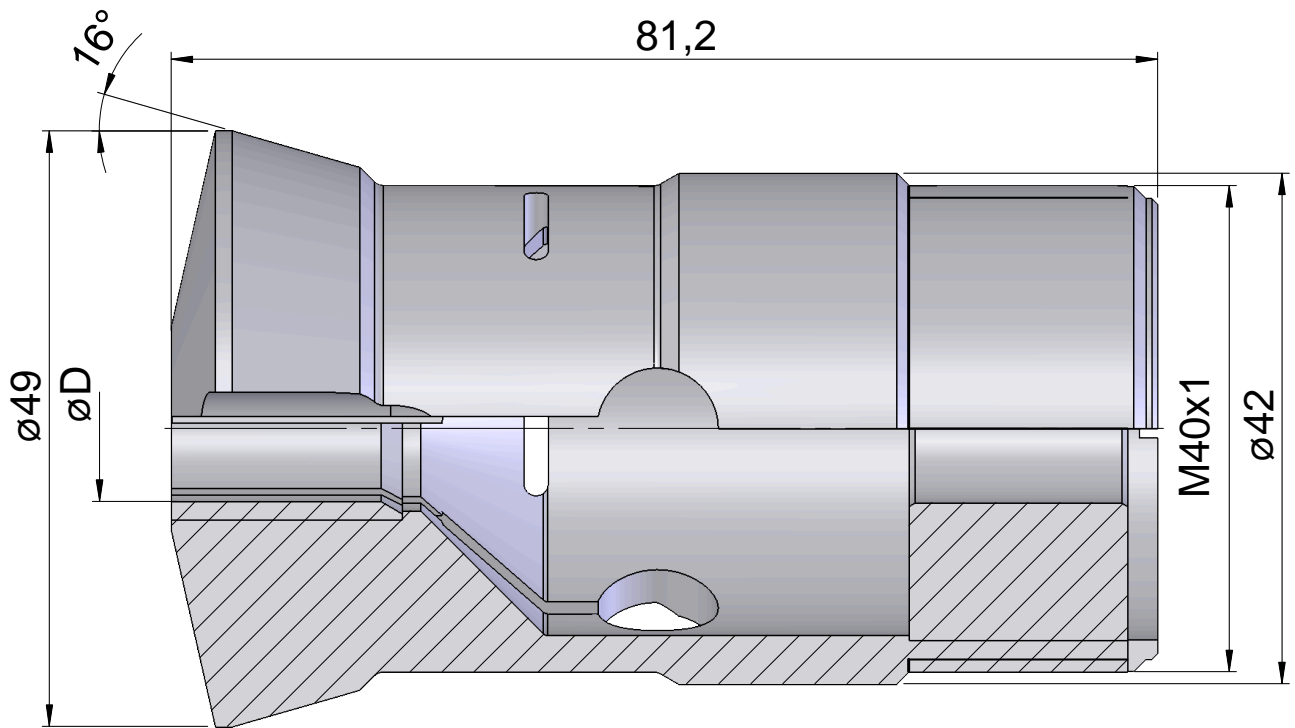
Technical data

| | |
|---|----------------------|
| Clamping device size manufacturer product line | T229 deadlength |
| Clamping type | with carbide insert |
| Nominal diameter (mm) | 8 Millimeter |
| Clamping method | External clamping |
| Collet design | programmable (Axfix) |
| Collet version | S-slot |
| manufacturer product line | Schlenker |



Note

with bushing



Documents

No downloads available for this product