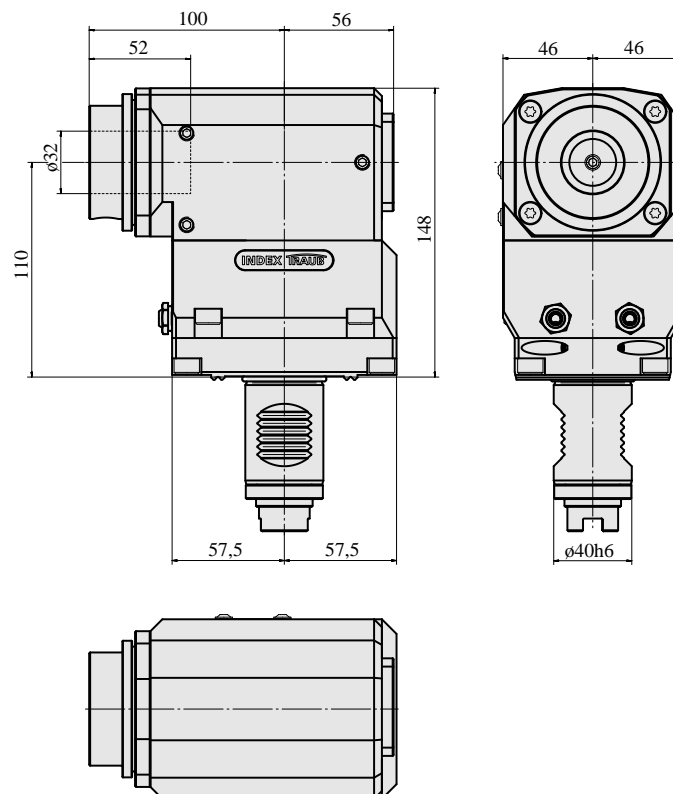
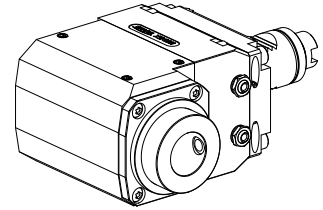


Milling unit VDI 40 1:1 D32 (1.26 ")

Technical data

| | |
|----------------------|--|
| Shank VDI | VDI 40 |
| Drive | Dog clutch |
| Fixation VDI | W serration |
| Speed ratio | 1:1 |
| Cooling | external, internal optional |
| Pressure | 80 bar |
| Mounting | D32 |
| reversible 180° | yes |
| Direction | same as drive direction |
| X [mm] | 110 (4.33") |
| Y [mm] | – |
| Z [mm] | 100 (3.94) |
| INDEX TRAUB products | G250 • G420 • B400 • B500 • TNA500.2 • TNA400.2 • G400.2 • G500 • G520 • G300.2 • G320.2 • B400.3 • TNA400.3 • B500.3 • TNA500.3 |



Documents

Product notes

[DE \(pdf\)](#)

[EN \(pdf\)](#)

[FR \(pdf\)](#)

[PT \(pdf\)](#)

Accessories

Optional accessories

Tool holder accessories

[Coolant Supply, internal 80 bar](#)

Product ID : 10687215

Previous product ID : W9990290

[Coolant Supply, internal 160 bar](#)

Product ID : 10236572

Previous product ID : W9990284

Other accessories

[HOLLOW SCREW M14x1 M14x1](#)

Product ID : 10105238

Previous product ID : W67530.0818

[BUSHING 10 D x 6 D x 12,5](#)

Product ID : 10670360

Previous product ID : W67530.0824

[Coolant Nozzle](#)

Product ID : 11031912

Previous product ID : W67500.3208

Seal

Product ID : 10478680

Previous product ID : W67221.4196

Blanking plug MIT O-RING 479105.1200

Product ID : 10988240

Previous product ID : W68540.2014
