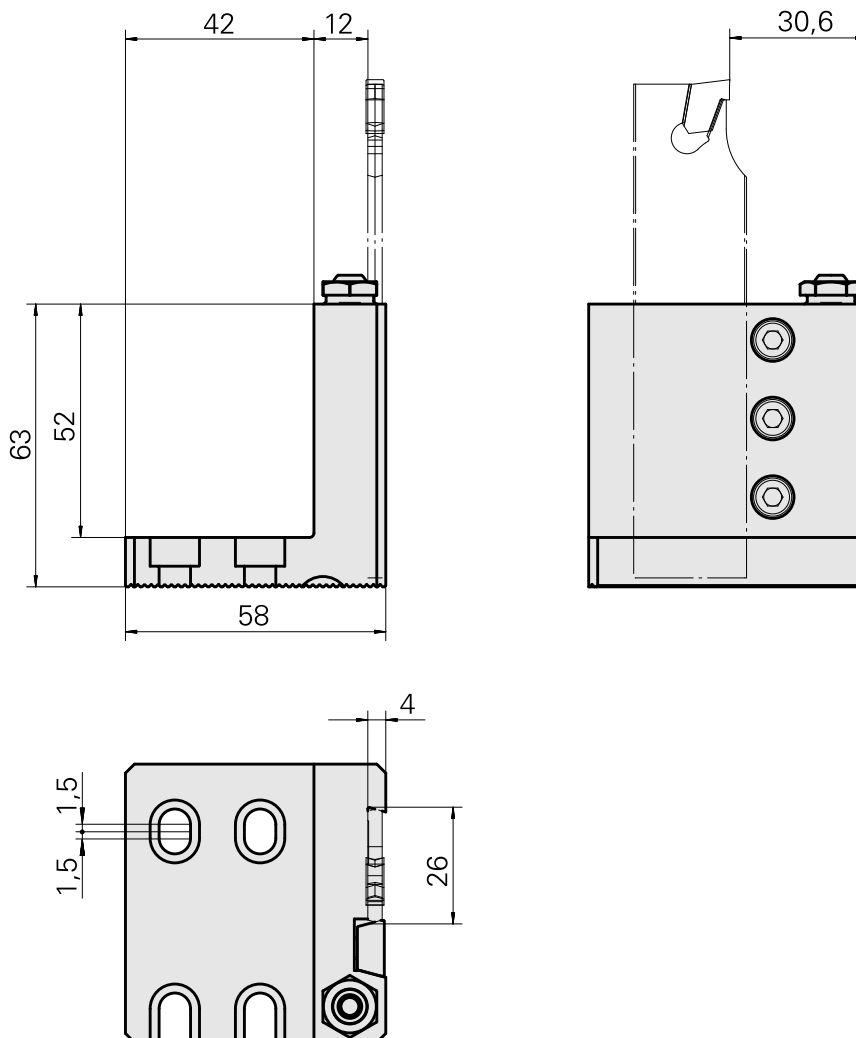
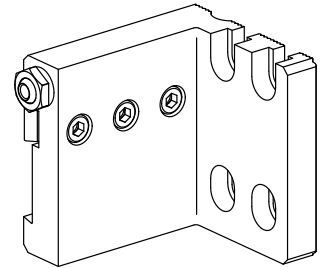


Grooving tool holding block Trapezoid 26, vertically adjustable

Technical data

| | |
|----------------------|--|
| Drive | not live |
| Cooling | external and internal |
| Pressure | 80 bar |
| Mounting | Trapezoid 26x4 |
| reversible 180° | no |
| X [mm] | 63 (2.48") |
| Y [mm] | ±1.5 (±0.06) |
| Z [mm] | 58 (2.28) |
| INDEX TRAUB products | C42/65 • G160 • ABC • ABC.2 • C100 • C200 • G200 • G200.2 • G220 |



Documents

No downloads available for this product

Accessories

Optional accessories

Other accessories

[Bush 4x8x12](#)

Product ID : 10831938

Previous product ID : W02010.0002

[Hollow screw M12x1](#)

Product ID : 10757766

Previous product ID : W02013.0001

[Ball nozzle D8xM5](#)

Product ID : 10392450

Previous product ID : W02019.0002

[Locking screw M12x1](#)

Product ID : 10135400

Previous product ID : 910677

[Nozzle Kugel-D8](#)

Product ID : 10007891

Previous product ID : 904837
