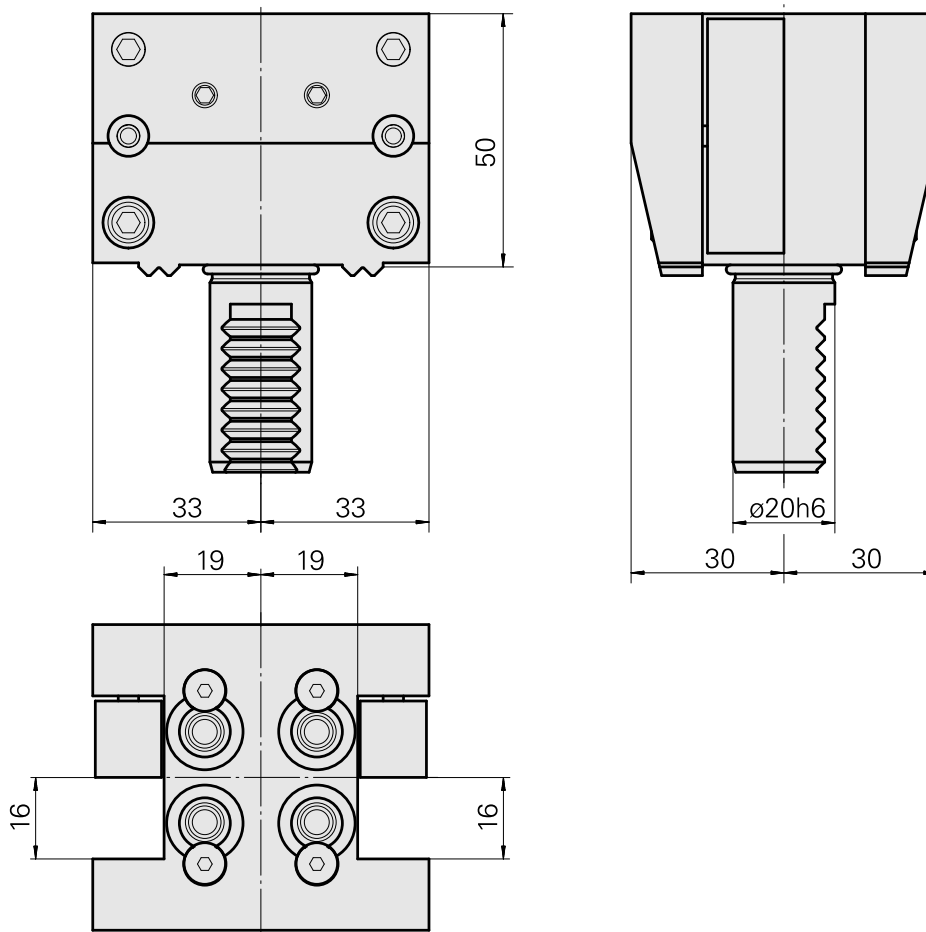
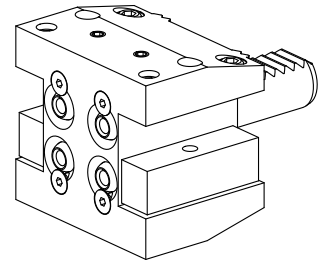


## Turning tool holder VDI 20 square 16x16, double

### Technical data

<b>Shank VDI</b>	VDI 20
<b>Drive</b>	not live
<b>Fixation VDI</b>	W serration
<b>Cooling</b>	external
<b>Pressure</b>	20 bar
<b>Mounting</b>	Square 16x16
<b>reversible 180°</b>	no
<b>Data carrier</b>	check tool station bore
<b>X [mm]</b>	50 (1.97")
<b>Y [mm]</b>	-
<b>Z [mm]</b>	±33 (±1.30)
<b>INDEX TRAUB products</b>	C100



## Documents

No downloads available for this product

## Accessories

Optional accessories

### Other accessories

#### [Seal](#)

Product ID : 10478680

Previous product ID : W67221.4196

---

#### [Coolant Nozzle](#)

Product ID : 11031912

Previous product ID : W67500.3208

---

#### [Countersunk screw M 4x 8/T20 verzinkt 402314 8](#)

Product ID : 10586100

Previous product ID : 410362.0408

---

#### [Nozzle M6 mit D1,6](#)

Product ID : 10147428

Previous product ID : W00019.0216

---