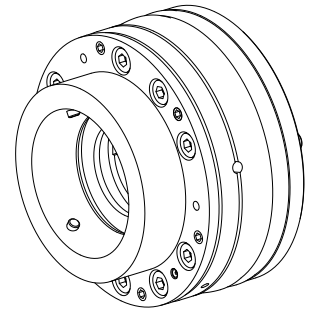


Spring collet chuck

Technical data

INDEX TRAUB products	C100 • TNK42/65
Spindle clearance	42mm
Machining side	Main spindle • Counter spindle
Ext. manufact. product feature	Kombi Axfix
manufacturer product line	SPANNTOP nova chuck
Clamping device size	SK42
manufacturer product line	Hainbuch



No 3-side view is currently available for this product

Documents

No downloads available for this product

Accessories

Optional accessories

Other accessories

Fixture

Product ID : 11040206

Previous product ID : 900442.8202

Clamping device size SK52 • SK42	manufacturer product line SPANNTOP nova chuck • TOPlus chuck	Clamping method External clamping	manufacturer product line Hainbuch
-------------------------------------	---	--------------------------------------	--

Clamping head SK42 D=4,0mm

Product ID : 10715059

Previous product ID : 900463.4204

Clamping device size SK42	manufacturer product line SPANNTOP nova chuck	Clamping type grooved	Nominal diameter (mm) 4 Millimeter
Clamping method External clamping	manufacturer product line Hainbuch		

Clamping head SK42 D=5,0mm

Product ID : 10032466

Previous product ID : 900463.4205

Clamping device size SK42	manufacturer product line SPANNTOP nova chuck	Clamping type grooved	Nominal diameter (mm) 5 Millimeter
Clamping method External clamping	manufacturer product line Hainbuch		

Clamping head SK42 D=7,0mm

Product ID : 10264171

Previous product ID : 900463.4207

Clamping device size SK42	manufacturer product line SPANNTOP nova chuck	Clamping type grooved	Nominal diameter (mm) 7 Millimeter
Clamping method External clamping	manufacturer product line Hainbuch		

Clamping head SK42 D=8,0mm

Product ID : 10220135

Previous product ID : 900463.4208

Clamping device size SK42	manufacturer product line SPANNTOP nova chuck	Clamping type grooved	Nominal diameter (mm) 8 Millimeter
Clamping method External clamping	manufacturer product line Hainbuch		

Clamping head SK42 D=9,0mm

Product ID : 10712846

Previous product ID : 900463.4209

Clamping device size SK42	manufacturer product line SPANNTOP nova chuck	Clamping type grooved	Nominal diameter (mm) 9 Millimeter
Clamping method External clamping	manufacturer product line Hainbuch		

Clamping head SK42 D=10,0mm

Product ID : 10346669

Previous product ID : 900463.4210

Clamping device size SK42	manufacturer product line SPANNTOP nova chuck	Clamping type grooved	Nominal diameter (mm) 10 Millimeter
Clamping method External clamping	manufacturer product line Hainbuch		

Clamping head SK42 D=11,0mm

Product ID : 10501633

Previous product ID : 900463.4211

Clamping device size SK42	manufacturer product line SPANNTOP nova chuck	Clamping type grooved	Nominal diameter (mm) 11 Millimeter
Clamping method External clamping	manufacturer product line Hainbuch		

Clamping head SK42 D=12,0mm

Product ID : 10687981

Previous product ID : 900463.4212

Clamping device size SK42	manufacturer product line SPANNTOP nova chuck	Clamping type grooved	Nominal diameter (mm) 12 Millimeter
Clamping method External clamping	manufacturer product line Hainbuch		

Clamping head SK42 D=13,0mm

Product ID : 10552326

Previous product ID : 900463.4213

Clamping device size SK42	manufacturer product line SPANNTOP nova chuck	Clamping type grooved	Nominal diameter (mm) 13 Millimeter
Clamping method External clamping	manufacturer product line Hainbuch		

Clamping head SK42 D=14,0mm

Product ID : 10440645

Previous product ID : 900463.4214

Clamping device size SK42	manufacturer product line SPANNTOP nova chuck	Clamping type grooved	Nominal diameter (mm) 14 Millimeter
Clamping method External clamping	manufacturer product line Hainbuch		

Clamping head SK42 D=15,0mm

Product ID : 10166844

Previous product ID : 900463.4215

Clamping device size SK42	manufacturer product line SPANNTOP nova chuck	Clamping type grooved	Nominal diameter (mm) 15 Millimeter
Clamping method External clamping	manufacturer product line Hainbuch		

Clamping head SK42 D=16,0mm

Product ID : 11073118

Previous product ID : 900463.4216

Clamping device size SK42	manufacturer product line SPANNTOP nova chuck	Clamping type grooved	Nominal diameter (mm) 16 Millimeter
Clamping method External clamping	manufacturer product line Hainbuch		

Clamping head SK42 D=17,0mm

Product ID : 10686366

Previous product ID : 900463.4217

Clamping device size SK42	manufacturer product line SPANNTOP nova chuck	Clamping type grooved	Nominal diameter (mm) 17 Millimeter
Clamping method External clamping	manufacturer product line Hainbuch		

Clamping head SK42 D=18,0mm

Product ID : 10409915

Previous product ID : 900463.4218

Clamping device size SK42	manufacturer product line SPANNTOP nova chuck	Clamping type grooved	Nominal diameter (mm) 18 Millimeter
Clamping method External clamping	manufacturer product line Hainbuch		

Clamping head SK42 D=19,0mm

Product ID : 11056432

Previous product ID : 900463.4219

Clamping device size SK42	manufacturer product line SPANNTOP nova chuck	Clamping type grooved	Nominal diameter (mm) 19 Millimeter
Clamping method External clamping	manufacturer product line Hainbuch		

Clamping head SK42 D=20,0mm

Product ID : 10422880

Previous product ID : 900463.4220

Clamping device size SK42	manufacturer product line SPANNTOP nova chuck	Clamping type grooved	Nominal diameter (mm) 20 Millimeter
Clamping method External clamping	manufacturer product line Hainbuch		

Clamping head SK42 D=21,0mm

Product ID : 10451991

Previous product ID : 900463.4221

Clamping device size SK42	manufacturer product line SPANNTOP nova chuck	Clamping type grooved	Nominal diameter (mm) 21 Millimeter
Clamping method External clamping	manufacturer product line Hainbuch		

Clamping head SK42 D=22,0mm

Product ID : 10382579

Previous product ID : 900463.4222

Clamping device size SK42	manufacturer product line SPANNTOP nova chuck	Clamping type grooved	Nominal diameter (mm) 22 Millimeter
Clamping method External clamping	manufacturer product line Hainbuch		

Clamping head SK42 D=23,0mm

Product ID : 10431117

Previous product ID : 900463.4223

Clamping device size SK42	manufacturer product line SPANNTOP nova chuck	Clamping type grooved	Nominal diameter (mm) 23 Millimeter
Clamping method External clamping	manufacturer product line Hainbuch		

Clamping head SK42 D=24,0mm

Product ID : 10853339

Previous product ID : 900463.4224

Clamping device size SK42	manufacturer product line SPANNTOP nova chuck	Clamping type grooved	Nominal diameter (mm) 24 Millimeter
Clamping method External clamping	manufacturer product line Hainbuch		

Clamping head SK42 D=25,0mm

Product ID : 11002448

Previous product ID : 900463.4225

Clamping device size SK42	manufacturer product line SPANNTOP nova chuck	Clamping type grooved	Nominal diameter (mm) 25 Millimeter
Clamping method External clamping	manufacturer product line Hainbuch		

Clamping head SK42 D=26,0mm

Product ID : 10826373

Previous product ID : 900463.4226

Clamping device size SK42	manufacturer product line SPANNTOP nova chuck	Clamping type grooved	Nominal diameter (mm) 26 Millimeter
Clamping method External clamping	manufacturer product line Hainbuch		

Clamping head SK42 D=27,0mm

Product ID : 10147870

Previous product ID : 900463.4227

Clamping device size SK42	manufacturer product line SPANNTOP nova chuck	Clamping type grooved	Nominal diameter (mm) 27 Millimeter
Clamping method External clamping	manufacturer product line Hainbuch		

Clamping head SK42 D=28,0mm

Product ID : 11027726

Previous product ID : 900463.4228

Clamping device size SK42	manufacturer product line SPANNTOP nova chuck	Clamping type grooved	Nominal diameter (mm) 28 Millimeter
Clamping method External clamping	manufacturer product line Hainbuch		

Clamping head SK42 D=29,0mm

Product ID : 10472777

Previous product ID : 900463.4229

Clamping device size SK42	manufacturer product line SPANNTOP nova chuck	Clamping type grooved	Nominal diameter (mm) 29 Millimeter
Clamping method External clamping	manufacturer product line Hainbuch		

Clamping head SK42 D=30,0mm

Product ID : 10718531

Previous product ID : 900463.4230

Clamping device size SK42	manufacturer product line SPANNTOP nova chuck	Clamping type grooved	Nominal diameter (mm) 30 Millimeter
Clamping method External clamping	manufacturer product line Hainbuch		

Clamping head SK42 D=31,0mm

Product ID : 10080802

Previous product ID : 900463.4231

Clamping device size SK42	manufacturer product line SPANNTOP nova chuck	Clamping type grooved	Nominal diameter (mm) 31 Millimeter
Clamping method External clamping	manufacturer product line Hainbuch		

Clamping head SK42 D=32,0mm

Product ID : 10293683

Previous product ID : 900463.4232

Clamping device size SK42	manufacturer product line SPANNTOP nova chuck	Clamping type grooved	Nominal diameter (mm) 32 Millimeter
Clamping method External clamping	manufacturer product line Hainbuch		

Clamping head SK42 D=33,0mm

Product ID : 10448577

Previous product ID : 900463.4233

Clamping device size SK42	manufacturer product line SPANNTOP nova chuck	Clamping type grooved	Nominal diameter (mm) 33 Millimeter
Clamping method External clamping	manufacturer product line Hainbuch		

Clamping head SK42 D=34,0mm

Product ID : 10748218

Previous product ID : 900463.4234

Clamping device size SK42	manufacturer product line SPANNTOP nova chuck	Clamping type grooved	Nominal diameter (mm) 34 Millimeter
Clamping method External clamping	manufacturer product line Hainbuch		

Clamping head SK42 D=35,0mm

Product ID : 10587182

Previous product ID : 900463.4235

Clamping device size SK42	manufacturer product line SPANNTOP nova chuck	Clamping type grooved	Nominal diameter (mm) 35 Millimeter
Clamping method External clamping	manufacturer product line Hainbuch		

Clamping head SK42 D=36,0mm

Product ID : 10124721

Previous product ID : 900463.4236

Clamping device size SK42	manufacturer product line SPANNTOP nova chuck	Clamping type grooved	Nominal diameter (mm) 36 Millimeter
Clamping method External clamping	manufacturer product line Hainbuch		

Clamping head SK42 D=37,0mm

Product ID : 10157007

Previous product ID : 900463.4237

Clamping device size SK42	manufacturer product line SPANNTOP nova chuck	Clamping type grooved	Nominal diameter (mm) 37 Millimeter
Clamping method External clamping	manufacturer product line Hainbuch		

Clamping head SK42 D=38,0mm

Product ID : 11035530

Previous product ID : 900463.4238

Clamping device size SK42	manufacturer product line SPANNTOP nova chuck	Clamping type grooved	Nominal diameter (mm) 38 Millimeter
Clamping method External clamping	manufacturer product line Hainbuch		

Clamping head SK42 D=39,0mm

Product ID : 11035082

Previous product ID : 900463.4239

Clamping device size SK42	manufacturer product line SPANNTOP nova chuck	Clamping type grooved	Nominal diameter (mm) 39 Millimeter
Clamping method External clamping	manufacturer product line Hainbuch		

Clamping head SK42 D=40,0mm

Product ID : 10310477

Previous product ID : 900463.4240

Clamping device size SK42	manufacturer product line SPANNTOP nova chuck	Clamping type grooved	Nominal diameter (mm) 40 Millimeter
Clamping method External clamping	manufacturer product line Hainbuch		

Clamping head SK42 D=41,0mm

Product ID : 10536795

Previous product ID : 900463.4241

Clamping device size SK42	manufacturer product line SPANNTOP nova chuck	Clamping type grooved	Nominal diameter (mm) 41 Millimeter
Clamping method External clamping	manufacturer product line Hainbuch		

Clamping head SK42 D=42,0mm

Product ID : 10543216

Previous product ID : 900463.4242

Clamping device size SK42	manufacturer product line SPANNTOP nova chuck	Clamping type grooved	Nominal diameter (mm) 42 Millimeter
Clamping method External clamping	manufacturer product line Hainbuch		

Clamping head SK42 AF=12,0mm

Product ID : 10253252

Previous product ID : 900442.6120

Clamping device size SK42	manufacturer product line SPANNTOP nova chuck	Clamping type Hexagon grooved	Nominal diameter (mm) 12 Millimeter
Clamping method External clamping	manufacturer product line Hainbuch		

Clamping head SK42 SF=14,0mm

Product ID : 10956355

Previous product ID : 900442.6140

Clamping device size SK42	manufacturer product line SPANNTOP nova chuck	Clamping type Hexagon grooved	Nominal diameter (mm) 14 Millimeter
Clamping method External clamping	manufacturer product line Hainbuch		

Clamping head SK42 AF=15,0mm

Product ID : 10654910

Previous product ID : 900442.6150

Clamping device size SK42	manufacturer product line SPANNTOP nova chuck	Clamping type Hexagon grooved	Nominal diameter (mm) 15 Millimeter
Clamping method External clamping	manufacturer product line Hainbuch		

Clamping head SK42 AF=20,0mm

Product ID : 10860689

Previous product ID : 900442.6200

Clamping device size SK42	manufacturer product line SPANNTOP nova chuck	Clamping type Hexagon grooved	Nominal diameter (mm) 20 Millimeter
Clamping method External clamping	manufacturer product line Hainbuch		

Clamping head SK42 D=4,0mm

Product ID : 10494929

Previous product ID : 900442.2040

Clamping device size SK42	manufacturer product line SPANNTOP nova chuck	Clamping type smooth	Nominal diameter (mm) 4 Millimeter
Clamping method External clamping	manufacturer product line Hainbuch		

Clamping head SK42 D=4,5mm

Product ID : 10796191

Previous product ID : 900442.2045

Clamping device size SK42	manufacturer product line SPANNTOP nova chuck	Clamping type smooth	Nominal diameter (mm) 4.5 Millimeter
Clamping method External clamping	manufacturer product line Hainbuch		

Clamping head SK42 D=5,0mm

Product ID : 10781871

Previous product ID : 900442.2050

Clamping device size SK42	manufacturer product line SPANNTOP nova chuck	Clamping type smooth	Nominal diameter (mm) 5 Millimeter
Clamping method External clamping	manufacturer product line Hainbuch		

Clamping head SK42 D=5,5mm

Product ID : 11000901

Previous product ID : 900442.2055

Clamping device size SK42	manufacturer product line SPANNTOP nova chuck	Clamping type smooth	Nominal diameter (mm) 5.5 Millimeter
Clamping method External clamping	manufacturer product line Hainbuch		

Clamping head SK42 D=6,0mm

Product ID : 10488153

Previous product ID : 900442.2060

Clamping device size SK42	manufacturer product line SPANNTOP nova chuck	Clamping type smooth	Nominal diameter (mm) 6 Millimeter
Clamping method External clamping	manufacturer product line Hainbuch		

Clamping head SK42 D=6,5mm

Product ID : 10322397

Previous product ID : 900442.2065

Clamping device size SK42	manufacturer product line SPANNTOP nova chuck	Clamping type smooth	Nominal diameter (mm) 6.5 Millimeter
Clamping method External clamping	manufacturer product line Hainbuch		

Clamping head SK42 D=7,0mm

Product ID : 10393860

Previous product ID : 900442.2070

Clamping device size SK42	manufacturer product line SPANNTOP nova chuck	Clamping type smooth	Nominal diameter (mm) 7 Millimeter
Clamping method External clamping	manufacturer product line Hainbuch		

Clamping head SK42 D=7,5mm

Product ID : 10296078

Previous product ID : 900442.2075

Clamping device size SK42	manufacturer product line SPANNTOP nova chuck	Clamping type smooth	Nominal diameter (mm) 7.5 Millimeter
Clamping method External clamping	manufacturer product line Hainbuch		

Clamping head SK42 D=8,0mm

Product ID : 10369119

Previous product ID : 900442.2080

Clamping device size SK42	manufacturer product line SPANNTOP nova chuck	Clamping type smooth	Nominal diameter (mm) 8 Millimeter
Clamping method External clamping	manufacturer product line Hainbuch		

Clamping head SK42 D=8,5mm

Product ID : 10356904

Previous product ID : 900442.2085

Clamping device size SK42	manufacturer product line SPANNTOP nova chuck	Clamping type smooth	Nominal diameter (mm) 8.5 Millimeter
Clamping method External clamping	manufacturer product line Hainbuch		

Clamping head SK42 D=9,0mm

Product ID : 10454621

Previous product ID : 900442.2090

Clamping device size SK42	manufacturer product line SPANNTOP nova chuck	Clamping type smooth	Nominal diameter (mm) 9 Millimeter
Clamping method External clamping	manufacturer product line Hainbuch		

Clamping head SK42 D=9,5mm

Product ID : 10230063

Previous product ID : 900442.2095

Clamping device size SK42	manufacturer product line SPANNTOP nova chuck	Clamping type smooth	Nominal diameter (mm) 9.5 Millimeter
Clamping method External clamping	manufacturer product line Hainbuch		

Clamping head SK42 D=10,0mm

Product ID : 10230858

Previous product ID : 900442.2100

Clamping device size SK42	manufacturer product line SPANNTOP nova chuck	Clamping type smooth	Nominal diameter (mm) 10 Millimeter
Clamping method External clamping	manufacturer product line Hainbuch		

Clamping head SK42 D=10,5mm

Product ID : 10745846

Previous product ID : 900442.2105

Clamping device size SK42	manufacturer product line SPANNTOP nova chuck	Clamping type smooth	Nominal diameter (mm) 10.5 Millimeter
Clamping method External clamping	manufacturer product line Hainbuch		

Clamping head SK42 D=11,0mm

Product ID : 10322253

Previous product ID : 900442.2110

Clamping device size SK42	manufacturer product line SPANNTOP nova chuck	Clamping type smooth	Nominal diameter (mm) 11 Millimeter
Clamping method External clamping	manufacturer product line Hainbuch		

Clamping head SK42 D=11,5mm

Product ID : 11035648

Previous product ID : 900442.2115

Clamping device size SK42	manufacturer product line SPANNTOP nova chuck	Clamping type smooth	Nominal diameter (mm) 11.5 Millimeter
Clamping method External clamping	manufacturer product line Hainbuch		

Clamping head SK42 D=12,0mm

Product ID : 10736394

Previous product ID : 900442.2120

Clamping device size SK42	manufacturer product line SPANNTOP nova chuck	Clamping type smooth	Nominal diameter (mm) 12 Millimeter
Clamping method External clamping	manufacturer product line Hainbuch		

Spannkopf SK42 D=13,0mm

Product ID : 10408305

Previous product ID : 900442.2130

Clamping device size SK42	manufacturer product line SPANNTOP nova chuck	Clamping type smooth	Nominal diameter (mm) 13 Millimeter
Clamping method External clamping	manufacturer product line Hainbuch		

Clamping head SK42 D=13,5mm

Product ID : 10076036

Previous product ID : 900442.2135

Clamping device size SK42	manufacturer product line SPANNTOP nova chuck	Clamping type smooth	Nominal diameter (mm) 13.5 Millimeter
Clamping method External clamping	manufacturer product line Hainbuch		

Clamping head SK42 D=14,0mm

Product ID : 10131582

Previous product ID : 900442.2140

Clamping device size SK42	manufacturer product line SPANNTOP nova chuck	Clamping type smooth	Nominal diameter (mm) 14 Millimeter
Clamping method External clamping	manufacturer product line Hainbuch		

Clamping head SK42 D=14,5mm

Product ID : 10192317

Previous product ID : 900442.2145

Clamping device size SK42	manufacturer product line SPANNTOP nova chuck	Clamping type smooth	Nominal diameter (mm) 14.5 Millimeter
Clamping method External clamping	manufacturer product line Hainbuch		

Clamping head SK42 D=15,0mm

Product ID : 10536653

Previous product ID : 900442.2150

Clamping device size SK42	manufacturer product line SPANNTOP nova chuck	Clamping type smooth	Nominal diameter (mm) 15 Millimeter
Clamping method External clamping	manufacturer product line Hainbuch		

Clamping head SK42 D=15,5mm

Product ID : 10378122

Previous product ID : 900442.2155

Clamping device size SK42	manufacturer product line SPANNTOP nova chuck	Clamping type smooth	Nominal diameter (mm) 15.5 Millimeter
Clamping method External clamping	manufacturer product line Hainbuch		

Clamping head SK42 D=16,0mm

Product ID : 10571339

Previous product ID : 900442.2160

Clamping device size SK42	manufacturer product line SPANNTOP nova chuck	Clamping type smooth	Nominal diameter (mm) 16 Millimeter
Clamping method External clamping	manufacturer product line Hainbuch		

Clamping head SK42 D=16,5mm

Product ID : 10233116

Previous product ID : 900442.2165

Clamping device size SK42	manufacturer product line SPANNTOP nova chuck	Clamping type smooth	Nominal diameter (mm) 16.5 Millimeter
Clamping method External clamping	manufacturer product line Hainbuch		

Clamping head SK42 D=17,0mm

Product ID : 10866883

Previous product ID : 900442.2170

Clamping device size SK42	manufacturer product line SPANNTOP nova chuck	Clamping type smooth	Nominal diameter (mm) 17 Millimeter
Clamping method External clamping	manufacturer product line Hainbuch		

Clamping head SK42 D=17,5mm

Product ID : 10982914

Previous product ID : 900442.2175

Clamping device size SK42	manufacturer product line SPANNTOP nova chuck	Clamping type smooth	Nominal diameter (mm) 17.5 Millimeter
Clamping method External clamping	manufacturer product line Hainbuch		

Clamping head SK42 D=18,0mm

Product ID : 10890180

Previous product ID : 900442.2180

Clamping device size SK42	manufacturer product line SPANNTOP nova chuck	Clamping type smooth	Nominal diameter (mm) 18 Millimeter
Clamping method External clamping	manufacturer product line Hainbuch		

Clamping head SK42 D=18,5mm

Product ID : 10377553

Previous product ID : 900442.2185

Clamping device size SK42	manufacturer product line SPANNTOP nova chuck	Clamping type smooth	Nominal diameter (mm) 18.5 Millimeter
Clamping method External clamping	manufacturer product line Hainbuch		

Clamping head SK42 D=19,0mm

Product ID : 10572905

Previous product ID : 900442.2190

Clamping device size SK42	manufacturer product line SPANNTOP nova chuck	Clamping type smooth	Nominal diameter (mm) 19 Millimeter
Clamping method External clamping	manufacturer product line Hainbuch		

Clamping head SK42 D=19,5mm

Product ID : 10795440

Previous product ID : 900442.2195

Clamping device size SK42	manufacturer product line SPANNTOP nova chuck	Clamping type smooth	Nominal diameter (mm) 19.5 Millimeter
Clamping method External clamping	manufacturer product line Hainbuch		

Clamping head SK42 D=20,0mm

Product ID : 10420365

Previous product ID : 900442.2200

Clamping device size SK42	manufacturer product line SPANNTOP nova chuck	Clamping type smooth	Nominal diameter (mm) 20 Millimeter
Clamping method External clamping	manufacturer product line Hainbuch		

Clamping head SK42 D=20,5mm

Product ID : 10760363

Previous product ID : 900442.2205

Clamping device size SK42	manufacturer product line SPANNTOP nova chuck	Clamping type smooth	Nominal diameter (mm) 20.5 Millimeter
Clamping method External clamping	manufacturer product line Hainbuch		

Clamping head SK42 D=21,0mm

Product ID : 10111086

Previous product ID : 900442.2210

Clamping device size SK42	manufacturer product line SPANNTOP nova chuck	Clamping type smooth	Nominal diameter (mm) 21 Millimeter
Clamping method External clamping	manufacturer product line Hainbuch		

Clamping head SK42 D=21,5mm

Product ID : 10655843

Previous product ID : 900442.2215

Clamping device size SK42	manufacturer product line SPANNTOP nova chuck	Clamping type smooth	Nominal diameter (mm) 21.5 Millimeter
Clamping method External clamping	manufacturer product line Hainbuch		

Clamping head SK42 D=22,0mm

Product ID : 11031353

Previous product ID : 900442.2220

Clamping device size SK42	manufacturer product line SPANNTOP nova chuck	Clamping type smooth	Nominal diameter (mm) 22 Millimeter
Clamping method External clamping	manufacturer product line Hainbuch		

Clamping head SK42 D=22,5mm

Product ID : 10709151

Previous product ID : 900442.2225

Clamping device size SK42	manufacturer product line SPANNTOP nova chuck	Clamping type smooth	Nominal diameter (mm) 22.5 Millimeter
Clamping method External clamping	manufacturer product line Hainbuch		

Clamping head SK42 D=23,0mm

Product ID : 10250684

Previous product ID : 900442.2230

Clamping device size SK42	manufacturer product line SPANNTOP nova chuck	Clamping type smooth	Nominal diameter (mm) 23 Millimeter
Clamping method External clamping	manufacturer product line Hainbuch		

Clamping head SK42 D=23,5mm

Product ID : 10070177

Previous product ID : 900442.2235

Clamping device size SK42	manufacturer product line SPANNTOP nova chuck	Clamping type smooth	Nominal diameter (mm) 23.5 Millimeter
Clamping method External clamping	manufacturer product line Hainbuch		

Clamping head SK42 D=24,0mm

Product ID : 10485798

Previous product ID : 900442.2240

Clamping device size SK42	manufacturer product line SPANNTOP nova chuck	Clamping type smooth	Nominal diameter (mm) 24 Millimeter
Clamping method External clamping	manufacturer product line Hainbuch		

Clamping head SK42 D=24,5mm

Product ID : 10932475

Previous product ID : 900442.2245

Clamping device size SK42	manufacturer product line SPANNTOP nova chuck	Clamping type smooth	Nominal diameter (mm) 24.5 Millimeter
Clamping method External clamping	manufacturer product line Hainbuch		

Clamping head SK42 D=25,0mm

Product ID : 10372554

Previous product ID : 900442.2250

Clamping device size SK42	manufacturer product line SPANNTOP nova chuck	Clamping type smooth	Nominal diameter (mm) 25 Millimeter
Clamping method External clamping	manufacturer product line Hainbuch		

Clamping head SK42 D=25,5mm

Product ID : 10019804

Previous product ID : 900442.2255

Clamping device size SK42	manufacturer product line SPANNTOP nova chuck	Clamping type smooth	Nominal diameter (mm) 25.5 Millimeter
Clamping method External clamping	manufacturer product line Hainbuch		

Clamping head SK42 D=26,0mm

Product ID : 10109755

Previous product ID : 900442.2260

Clamping device size SK42	manufacturer product line SPANNTOP nova chuck	Clamping type smooth	Nominal diameter (mm) 26 Millimeter
Clamping method External clamping	manufacturer product line Hainbuch		

Clamping head SK42 D=26,5mm

Product ID : 10949113

Previous product ID : 900442.2265

Clamping device size SK42	manufacturer product line SPANNTOP nova chuck	Clamping type smooth	Nominal diameter (mm) 26.5 Millimeter
Clamping method External clamping	manufacturer product line Hainbuch		

Clamping head SK42 D=27,0mm

Product ID : 10953062

Previous product ID : 900442.2270

Clamping device size SK42	manufacturer product line SPANNTOP nova chuck	Clamping type smooth	Nominal diameter (mm) 27 Millimeter
Clamping method External clamping	manufacturer product line Hainbuch		

Clamping head SK42 D=27,5mm

Product ID : 10570512

Previous product ID : 900442.2275

Clamping device size SK42	manufacturer product line SPANNTOP nova chuck	Clamping type smooth	Nominal diameter (mm) 27.5 Millimeter
Clamping method External clamping	manufacturer product line Hainbuch		

Clamping head SK42 D=28,0mm

Product ID : 10480401

Previous product ID : 900442.2280

Clamping device size SK42	manufacturer product line SPANNTOP nova chuck	Clamping type smooth	Nominal diameter (mm) 28 Millimeter
Clamping method External clamping	manufacturer product line Hainbuch		

Clamping head SK42 D=28,5mm

Product ID : 10948921

Previous product ID : 900442.2285

Clamping device size SK42	manufacturer product line SPANNTOP nova chuck	Clamping type smooth	Nominal diameter (mm) 28.5 Millimeter
Clamping method External clamping	manufacturer product line Hainbuch		

Clamping head SK42 D=29,0mm

Product ID : 10862117

Previous product ID : 900442.2290

Clamping device size SK42	manufacturer product line SPANNTOP nova chuck	Clamping type smooth	Nominal diameter (mm) 29 Millimeter
Clamping method External clamping	manufacturer product line Hainbuch		

Clamping head SK42 D=29,5mm

Product ID : 10821012

Previous product ID : 900442.2295

Clamping device size SK42	manufacturer product line SPANNTOP nova chuck	Clamping type smooth	Nominal diameter (mm) 29.5 Millimeter
Clamping method External clamping	manufacturer product line Hainbuch		

Clamping head SK42 D=30,0mm

Product ID : 10375567

Previous product ID : 900442.2300

Clamping device size SK42	manufacturer product line SPANNTOP nova chuck	Clamping type smooth	Nominal diameter (mm) 30 Millimeter
Clamping method External clamping	manufacturer product line Hainbuch		

Clamping head SK42 D=30,5mm

Product ID : 10440711

Previous product ID : 900442.2305

Clamping device size SK42	manufacturer product line SPANNTOP nova chuck	Clamping type smooth	Nominal diameter (mm) 30.5 Millimeter
Clamping method External clamping	manufacturer product line Hainbuch		

Clamping head SK42 D=31,0mm

Product ID : 10960636

Previous product ID : 900442.2310

Clamping device size SK42	manufacturer product line SPANNTOP nova chuck	Clamping type smooth	Nominal diameter (mm) 31 Millimeter
Clamping method External clamping	manufacturer product line Hainbuch		

Clamping head SK42 D=31,5mm

Product ID : 11066158

Previous product ID : 900442.2315

Clamping device size SK42	manufacturer product line SPANNTOP nova chuck	Clamping type smooth	Nominal diameter (mm) 31.5 Millimeter
Clamping method External clamping	manufacturer product line Hainbuch		

Clamping head SK42 D=32,0mm

Product ID : 11029011

Previous product ID : 900442.2320

Clamping device size SK42	manufacturer product line SPANNTOP nova chuck	Clamping type smooth	Nominal diameter (mm) 32 Millimeter
Clamping method External clamping	manufacturer product line Hainbuch		

Clamping head SK42 D=32,5mm

Product ID : 10570825

Previous product ID : 900442.2325

Clamping device size SK42	manufacturer product line SPANNTOP nova chuck	Clamping type smooth	Nominal diameter (mm) 32.5 Millimeter
Clamping method External clamping	manufacturer product line Hainbuch		

Clamping head SK42 D=33,0mm

Product ID : 10906540

Previous product ID : 900442.2330

Clamping device size SK42	manufacturer product line SPANNTOP nova chuck	Clamping type smooth	Nominal diameter (mm) 33 Millimeter
Clamping method External clamping	manufacturer product line Hainbuch		

Clamping head SK42 D=33,5mm

Product ID : 10301000

Previous product ID : 900442.2335

Clamping device size SK42	manufacturer product line SPANNTOP nova chuck	Clamping type smooth	Nominal diameter (mm) 33.5 Millimeter
Clamping method External clamping	manufacturer product line Hainbuch		

Clamping head SK42 D=34,0mm

Product ID : 10701239

Previous product ID : 900442.2340

Clamping device size SK42	manufacturer product line SPANNTOP nova chuck	Clamping type smooth	Nominal diameter (mm) 34 Millimeter
Clamping method External clamping	manufacturer product line Hainbuch		

Clamping head SK42 D=34,5mm

Product ID : 10966823

Previous product ID : 900442.2345

Clamping device size SK42	manufacturer product line SPANNTOP nova chuck	Clamping type smooth	Nominal diameter (mm) 34.5 Millimeter
Clamping method External clamping	manufacturer product line Hainbuch		

Clamping head SK42 D=35,0mm

Product ID : 10013826

Previous product ID : 900442.2350

Clamping device size SK42	manufacturer product line SPANNTOP nova chuck	Clamping type smooth	Nominal diameter (mm) 35 Millimeter
Clamping method External clamping	manufacturer product line Hainbuch		

Clamping head SK42 D=35,5mm

Product ID : 10790633

Previous product ID : 900442.2355

Clamping device size SK42	manufacturer product line SPANNTOP nova chuck	Clamping type smooth	Nominal diameter (mm) 35.5 Millimeter
Clamping method External clamping	manufacturer product line Hainbuch		

Clamping head SK42 D=36,0mm

Product ID : 10039790

Previous product ID : 900442.2360

Clamping device size SK42	manufacturer product line SPANNTOP nova chuck	Clamping type smooth	Nominal diameter (mm) 36 Millimeter
Clamping method External clamping	manufacturer product line Hainbuch		

Clamping head SK42 D=36,5mm

Product ID : 10566161

Previous product ID : 900442.2365

Clamping device size SK42	manufacturer product line SPANNTOP nova chuck	Clamping type smooth	Nominal diameter (mm) 36.5 Millimeter
Clamping method External clamping	manufacturer product line Hainbuch		

Clamping head SK42 D=37,0mm

Product ID : 10885831

Previous product ID : 900442.2370

Clamping device size SK42	manufacturer product line SPANNTOP nova chuck	Clamping type smooth	Nominal diameter (mm) 37 Millimeter
Clamping method External clamping	manufacturer product line Hainbuch		

Clamping head SK42 D=37,5mm

Product ID : 10184814

Previous product ID : 900442.2375

Clamping device size SK42	manufacturer product line SPANNTOP nova chuck	Clamping type smooth	Nominal diameter (mm) 37.5 Millimeter
Clamping method External clamping	manufacturer product line Hainbuch		

Clamping head SK42 D=38,0mm

Product ID : 10376236

Previous product ID : 900442.2380

Clamping device size SK42	manufacturer product line SPANNTOP nova chuck	Clamping type smooth	Nominal diameter (mm) 38 Millimeter
Clamping method External clamping	manufacturer product line Hainbuch		

Clamping head SK42 D=39,0mm

Product ID : 10028555

Previous product ID : 900442.2390

Clamping device size SK42	manufacturer product line SPANNTOP nova chuck	Clamping type smooth	Nominal diameter (mm) 39 Millimeter
Clamping method External clamping	manufacturer product line Hainbuch		

Clamping head SK42 D=39,5mm

Product ID : 10144098

Previous product ID : 900442.2395

Clamping device size SK42	manufacturer product line SPANNTOP nova chuck	Clamping type smooth	Nominal diameter (mm) 39.5 Millimeter
Clamping method External clamping	manufacturer product line Hainbuch		

Clamping head SK42 D=40,0mm

Product ID : 10353788

Previous product ID : 900442.2400

Clamping device size SK42	manufacturer product line SPANNTOP nova chuck	Clamping type smooth	Nominal diameter (mm) 40 Millimeter
Clamping method External clamping	manufacturer product line Hainbuch		

Clamping head SK42 D=40,5mm

Product ID : 10782188

Previous product ID : 900442.2405

Clamping device size SK42	manufacturer product line SPANNTOP nova chuck	Clamping type smooth	Nominal diameter (mm) 40.5 Millimeter
Clamping method External clamping	manufacturer product line Hainbuch		

Clamping head SK42 D=41,0mm

Product ID : 10095931

Previous product ID : 900442.2410

Clamping device size SK42	manufacturer product line SPANNTOP nova chuck	Clamping type smooth	Nominal diameter (mm) 41 Millimeter
Clamping method External clamping	manufacturer product line Hainbuch		

Clamping head SK42 D=41,5mm

Product ID : 10241699

Previous product ID : 900442.2415

Clamping device size SK42	manufacturer product line SPANNTOP nova chuck	Clamping type smooth	Nominal diameter (mm) 41.5 Millimeter
Clamping method External clamping	manufacturer product line Hainbuch		

Clamping head SK42 D=42,0mm

Product ID : 10064622

Previous product ID : 900442.2420

Clamping device size SK42	manufacturer product line SPANNTOP nova chuck	Clamping type smooth	Nominal diameter (mm) 42 Millimeter
Clamping method External clamping	manufacturer product line Hainbuch		

Clamping head SK42 D=8,0mm

Product ID : 10104931

Previous product ID : 900442.3080

Clamping device size SK42	manufacturer product line SPANNTOP nova chuck	Clamping type Soft for custom boring	Nominal diameter (mm) 8 Millimeter
Clamping method External clamping	manufacturer product line Hainbuch		

Clamping head SK42 D=15,0mm

Product ID : 10651407

Previous product ID : 900442.3150

Clamping device size SK42	manufacturer product line SPANNTOP nova chuck	Clamping type Soft for custom boring	Nominal diameter (mm) 15 Millimeter
Clamping method External clamping	manufacturer product line Hainbuch		

Clamping head SK42 D=30,0mm

Product ID : 10726684

Previous product ID : 900442.3300

Clamping device size SK42	manufacturer product line SPANNTOP nova chuck	Clamping type Soft for custom boring	Nominal diameter (mm) 30 Millimeter
Clamping method External clamping	manufacturer product line Hainbuch		

Clamping head SK42 square=20,0mm

Product ID : 10455885

Previous product ID : 900442.4200

Clamping device size SK42	manufacturer product line SPANNTOP nova chuck	Clamping type Square grooved	Nominal diameter (mm) 20 Millimeter
Clamping method External clamping	manufacturer product line Hainbuch		

Clamping head SK42 D=12,5mm

Product ID : 10498897

Previous product ID : 900442.2125

Clamping device size SK42	manufacturer product line SPANNTOP nova chuck	Clamping type smooth	Nominal diameter (mm) 12.5 Millimeter
Clamping method External clamping	manufacturer product line Hainbuch		

Fixture

Product ID : 10056854

Previous product ID : 900442.8211

manufacturer product
line
SPANNTOP nova chuck
• SPANNTOP mini
chuck

Clamping method
External clamping

manufacturer product
line
Hainbuch

HAINBUCH GREASE 2085/0003

Product ID : 10825733

Previous product ID : 373241.1021

manufacturer product
line
SPANNTOP nova chuck
• SPANNTOP mini
chuck • TOPlus chuck
• TOPlus chuck mini
• TOPlus chuck with
end-stop

Clamping method
External clamping

manufacturer product
line
Hainbuch