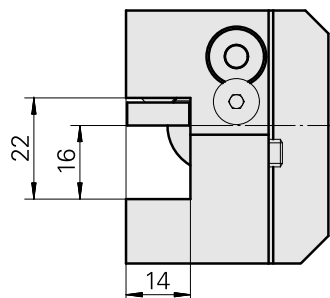
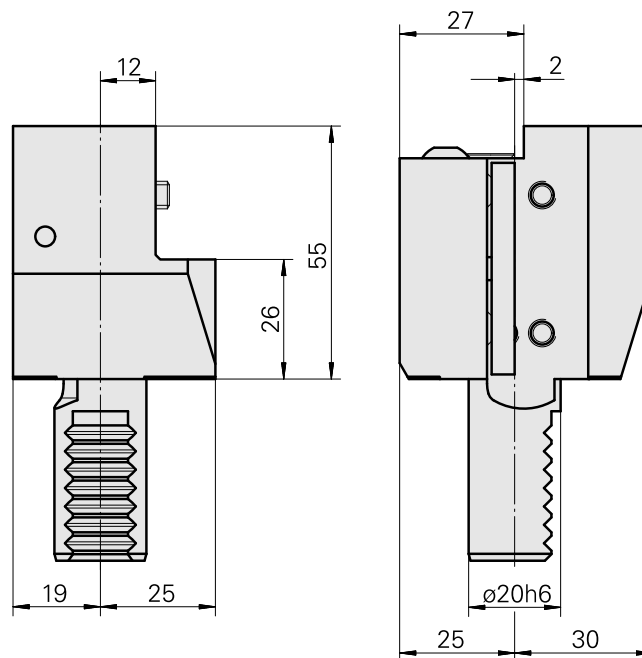
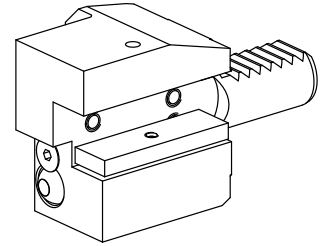


Turning tool holder VDI 20 square 16x16, Form C3

Technical data

| | |
|----------------------|--------------|
| Shank VDI | VDI 20 |
| Drive | not live |
| Fixation VDI | none |
| Cooling | external |
| Pressure | 20 bar |
| Mounting | Square 16x16 |
| reversible 180° | no |
| X [mm] | 55 (2.17") |
| Y [mm] | – |
| Z [mm] | 19 (0.75) |
| INDEX TRAUB products | C100 |



Documents

No downloads available for this product

Accessories

Optional accessories

Other accessories

[Base plate 48 x 13,6 x 4](#)

Product ID : 10761917

Previous product ID : W62350.1024

[Ball](#)

Product ID : 10998339

Previous product ID : W62220.0204

[Countersunk screw 8.8 Torx M 5x12 14581 M 5x12/T25 verzinkt 402315 12](#)

Product ID : 10607371

Previous product ID : 410362.0512
