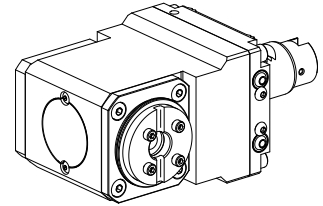


Milling unit VDI 40 2:1

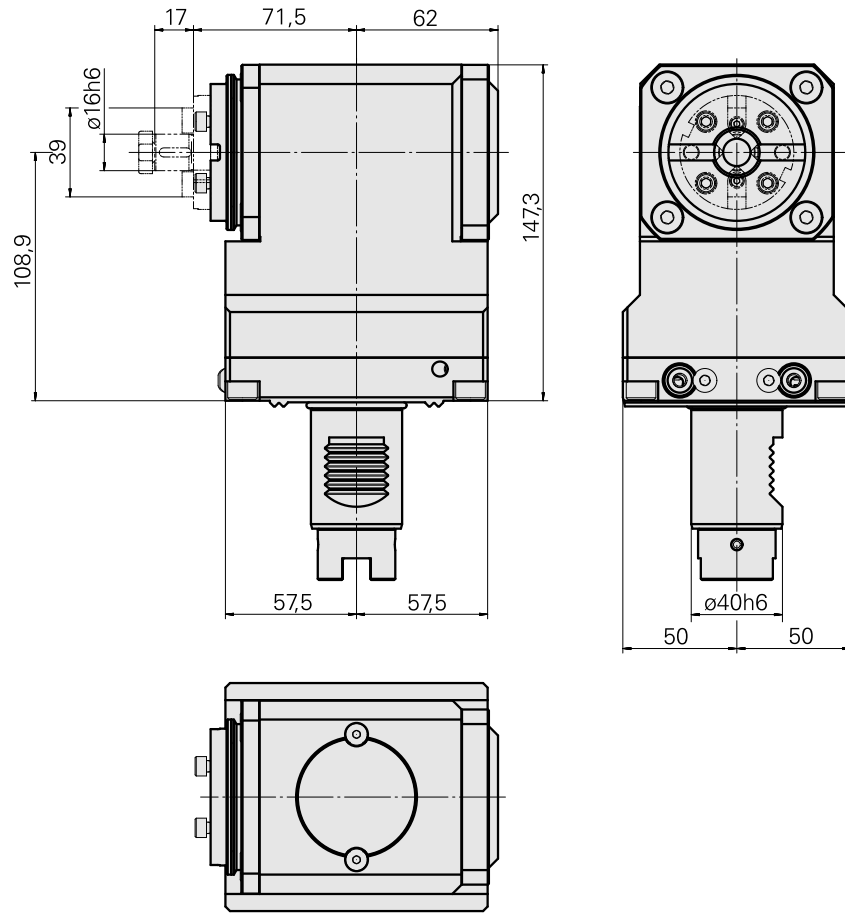
Technical data

| | |
|----------------------|-----------------------------|
| Shank VDI | VDI 40 |
| Drive | Dog clutch |
| Fixation VDI | W serration |
| Speed ratio | 2:1 |
| Cooling | external |
| Pressure | 20 bar |
| reversible 180° | no |
| Direction | opposite to drive direction |
| X [mm] | 110 (4.33") |
| Y [mm] | – |
| Z [mm] | 64 (2.52) |
| INDEX TRAUB products | G400 |



Note

Tool holders specially for INDEX G400! Tool holder can be used only on the lower turret!



Documents

No downloads available for this product

Accessories

Required for operation

[Closure plug](#)

Product ID : 11029296

Previous product ID : W68560.1314

Optional accessories

Tool holders with VDI shank

[Milling cutter holding block Milling sha](#)

Product ID : 10670447

Previous product ID : W9990040

| Drive | Mounting | X [mm] | Y [mm] |
|----------|--|--------|--------|
| not live | Milling shaft D13 | – | – |
| Z [mm] | INDEX TRAUB products | | |
| – | A100 • C42/65 • G160 • G300 • G400 • MS32C • MS52C • TNX80 • V100 • V200 • A200-6 • ABC • B400 • C100 • C200 • G200 • G200.2 • G220 • G250 • MS16-6 • MS22-6 • MS22-8 • MS32-6.2 • MS40-6 • MS40-8 • TNX65/42 • V160C • V160G • V300 • TNA400.2 • ABC.2 • G300.2 • G320.2 • B400.3 • TNA400.3 | | |

Milling cutter holding block Milling sha

Product ID : 11041286

Previous product ID : W9990041

| | | | |
|-------------------|--|-------------|-------------|
| Drive not live | Mounting Milling shaft D16 | X [mm] - | Y [mm] - |
| Z [mm] - | INDEX TRAUB products A100 • C42/65 • G160 • G300 • G400 • MS32C • MS52C • TNX80 • V100 • V200 • A200-6 • ABC • B400 • C100 • C200 • G200 • G200.2 • G220 • G250 • MS16-6 • MS22-6 • MS22-8 • MS32-6.2 • MS40-6 • MS40-8 • TNX65/42 • V160C • V160G • V300 • TNA400.2 • ABC.2 • G300.2 • G320.2 • B400.3 • TNA400.3 | | |

Milling cutter holding block Milling sha

Product ID : 12011567

Previous product ID :

| | | | |
|-------------------|--|------------------------|-------------|
| Drive not live | Mounting Milling shaft D22 | X [mm] 32.5 (1.28") | Y [mm] - |
| Z [mm] - | INDEX TRAUB products A100 • C42/65 • G160 • G300 • G400 • MS32C • MS52C • V100 • V200 • A200-6 • ABC • B400 • C100 • C200 • G200 • G200.2 • G220 • G250 • MS16-6 • MS22-6 • MS22-8 • MS32-6.2 • MS40-6 • MS40-8 • TNX65/42 • V160C • V160G • V300 • TNA400.2 • ABC.2 • G300.2 • G320.2 • B400.3 • TNA400.3 | | |

Milling cutter holding block Milling sha

Product ID : 10435497

Previous product ID : W9990042

| | | | |
|-------------------|--|-------------|-------------|
| Drive not live | Mounting Milling shaft D22 | X [mm] - | Y [mm] - |
| Z [mm] - | INDEX TRAUB products A100 • C42/65 • G160 • G300 • G400 • MS32C • MS52C • TNX80 • V100 • V200 • A200-6 • ABC • B400 • C100 • C200 • G200 • G200.2 • G220 • G250 • MS16-6 • MS22-6 • MS22-8 • MS32-6.2 • MS40-6 • MS40-8 • TNX65/42 • V160C • V160G • V300 • TNA400.2 • ABC.2 • G300.2 • G320.2 • B400.3 • TNA400.3 | | |

Milling cutter holding block Milling sha

Product ID : 10807705

Previous product ID : W9990043

| | | | |
|-------------------|--|-------------|-------------|
| Drive not live | Mounting Milling shaft D27 | X [mm] - | Y [mm] - |
| Z [mm] - | INDEX TRAUB products A100 • C42/65 • G160 • G300 • G400 • MS32C • MS52C • TNX80 • V100 • V200 • A200-6 • ABC • B400 • C100 • C200 • G200 • G200.2 • G220 • G250 • MS16-6 • MS22-6 • MS22-8 • MS32-6.2 • MS40-6 • MS40-8 • TNX65/42 • V160C • V160G • V300 • TNA400.2 • ABC.2 • G300.2 • G320.2 • B400.3 • TNA400.3 | | |

Milling cutter holding block Milling sha

Product ID : 10223928

Previous product ID : W9990044

| | | | |
|-------------------|--|-------------|-------------|
| Drive not live | Mounting Milling shaft D32 | X [mm] - | Y [mm] - |
| Z [mm] - | INDEX TRAUB products A100 • C42/65 • G160 • G300 • G400 • MS32C • MS52C • TNX80 • V100 • V200 • A200-6 • ABC • B400 • C100 • C200 • G200 • G200.2 • G220 • G250 • MS16-6 • MS22-6 • MS22-8 • MS32-6.2 • MS40-6 • MS40-8 • TNX65/42 • V160C • V160G • V300 • TNA400.2 • ABC.2 • G300.2 • G320.2 • B400.3 • TNA400.3 | | |

Tool holder accessories

Hook wrench

Product ID : 10567017

Previous product ID : 490340.0590

| | | |
|------------------------------------|---|--|
| TH accessories category Tool | Clamping nut type Outside diameter 55-62 mm | Tools for Collet chucks Hook wrench |
|------------------------------------|---|--|

Other accessories

SPRAY NOZZLE 14D/M6

Product ID : 10358770

Previous product ID : 474550.0121

Lens head screw

Product ID : 10188636

Previous product ID : 410243.0606

11016859
W1455011

INDEX

[RING 14,5x17x3](#)

Product ID : 10112373

Previous product ID : W68560.1312
