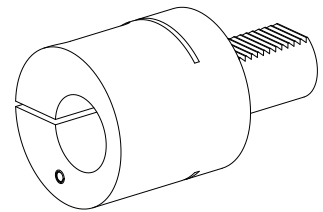


Drilling tool holder VDI 40 D40

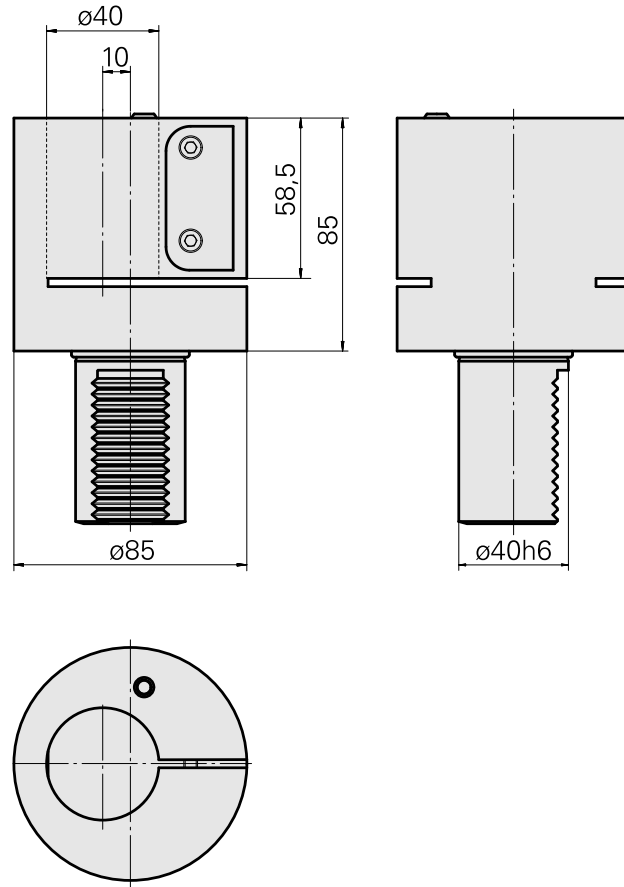
Technical data

| | |
|-----------------------------|---|
| Shank VDI | VDI 40 |
| Drive | not live |
| Fixation VDI | none |
| Cooling | external |
| Pressure | 20 bar |
| Mounting | D40 |
| reversible 180° | no |
| X [mm] | 85 (3.35") |
| Y [mm] | – |
| Z [mm] | 10 (0.39) |
| INDEX TRAUB products | V200 • V160C • V160G • V300 • TNA400 • B400 • B500 • TNA500.2 • TNA400.2 • TNA400.3 • B400.3 • B500.3 • TNA500.3 |



Note

Eccentric mounting!



Documents

No downloads available for this product

Accessories

Optional accessories

Other accessories

[Mounting sleeve D40 2x holes](#)

Product ID : 10159790

Previous product ID : W64220.02--

[Mounting sleeve D40 3x holes](#)

Product ID : 10789882

Previous product ID : W64221.14--

[SPRAY NOZZLE 14D/M6](#)

Product ID : 10358770

Previous product ID : 474550.0121
