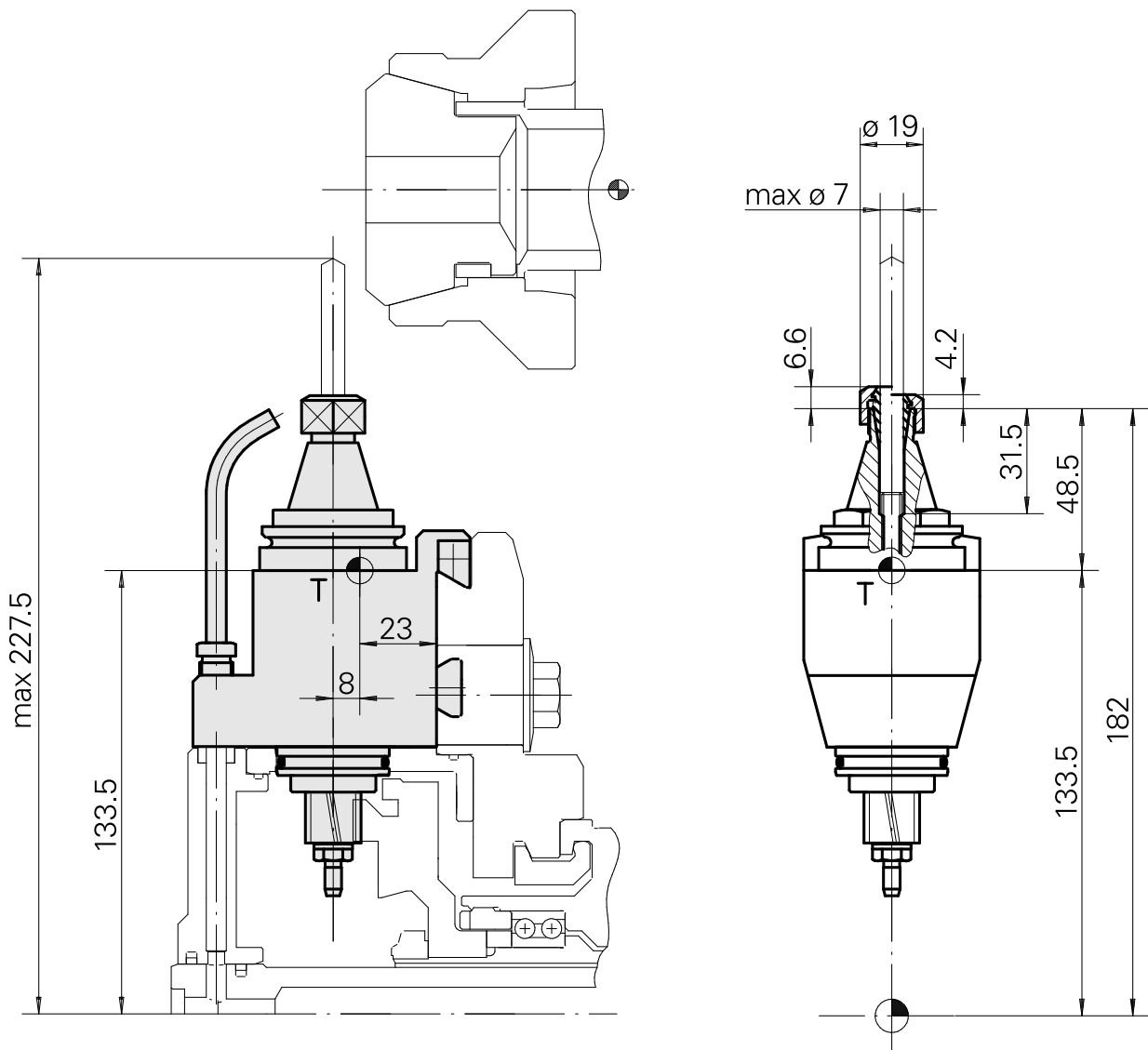
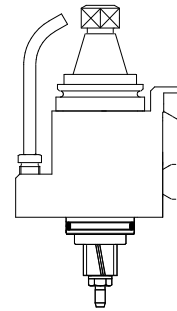


Milling unit Circular prism 1:1 ER11

Technical data

| | |
|-----------------------------|--------------------------|
| Shank TNL | Circular prism |
| Drive | Overall drive |
| Fixation TNL | Central tensioning screw |
| Speed ratio | 1:1 |
| Cooling | external |
| Pressure | 30 bar |
| Mounting | ER11 |
| INDEX TRAUB products | TNK36 • TNL26 |



Documents

No downloads available for this product

Accessories

Required for operation

[Spanner](#)

Product ID : 10969996

Previous product ID : 490219.0111

| | | | |
|------------------------------------------------|------------------|----------------------|------------------------------------|
| TH accessories category Tool | Mounting ER11 | Collet type ER 11 | Clamping nut type Female thread |
| Tools for Collet chucks Clamping nut wrench | | | |

Optional accessories

Tool holder accessories

[Clamping nut](#)

Product ID : 10302707

Previous product ID : 322438

| | | | |
|-----------------------------------------|------------------|----------------------|------------------------------------|
| TH accessories category Clamping nut | Mounting ER11 | Collet type ER 11 | Clamping nut type Female thread |
|-----------------------------------------|------------------|----------------------|------------------------------------|

Other accessories

[Clamping collet](#)

Product ID : 10086829

Previous product ID : 901930.0---

[tapping tool collet ET-1-12](#)

Product ID : 10001911

Previous product ID : 3239--

10955197
836902

INDEX

[tapping tool collet ER11GB](#)

Product ID : 10285407

Previous product ID : 900288

[Collet chuck](#)

Product ID : 10132309

Previous product ID : W999064-
