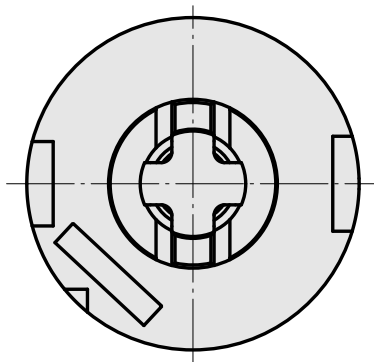
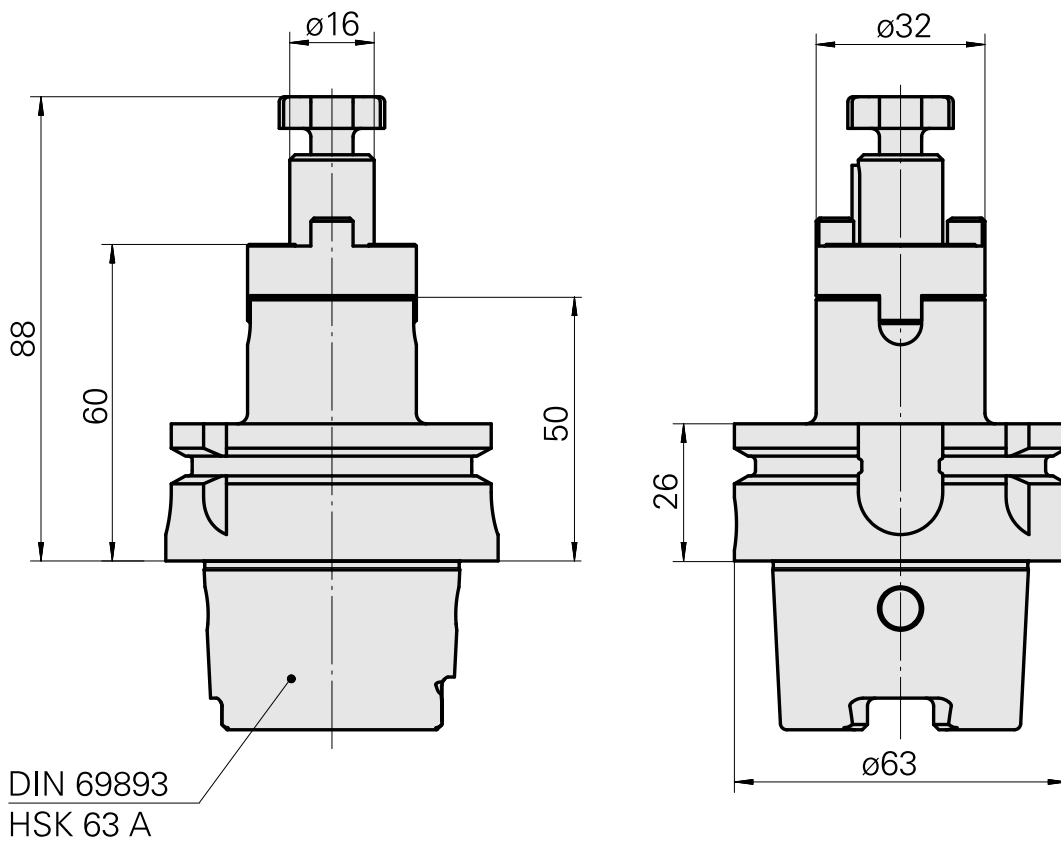
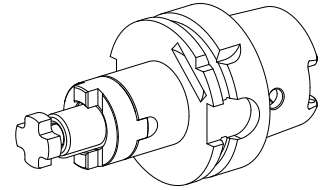


## Milling cutter holder HSK 63 A Milling s

### Technical data

Shank HSK	HSK 63
Form HSK	A
Mounting	Milling shaft D16
X [mm]	60 (2.36")
INDEX TRAUB products	G220 • R300 • G420 • G520 • G320.2 • G220.3 • TNX220.3 • G320.3 compact



---

## Documents

No downloads available for this product

## Accessories

Required for operation

### [Screw](#)

Product ID : 10381768

Previous product ID : 250122.0820

TH accessories category Cutter tightening screw	Mounting M8
---	----------------

### [Socket wrench](#)

Product ID : 10352082

Previous product ID : WS7800.0010

TH accessories category Tool for KSS adapter	Mounting HSK 63 A/C
--	------------------------

## Optional accessories

### Tool holder accessories

### [Coolant adapter kit HSK-A63](#)

Product ID : 11074450

Previous product ID : WS7800.0020

TH accessories category Cooling lubricant transfer set	Mounting HSK 63 A/C
---	------------------------

---

[Coolant adapter kit HSK63, max. 120 bar](#)

Product ID : 12024087  
Previous product ID :

TH accessories  
category  
Cooling lubricant  
transfer set

Mounting  
HSK 63 A/C

[mill arbor wrench](#)

Product ID : 10007866  
Previous product ID : 203020.1160

TH accessories  
category  
Tool

Mounting  
Milling shaft D16

Tools for Collet chucks  
Mill arbor wrench

**Other accessories**

[Ring](#)

Product ID : 10398855  
Previous product ID : 251390.----

[Ring](#)

Product ID : 10169490  
Previous product ID : 251391.----

---