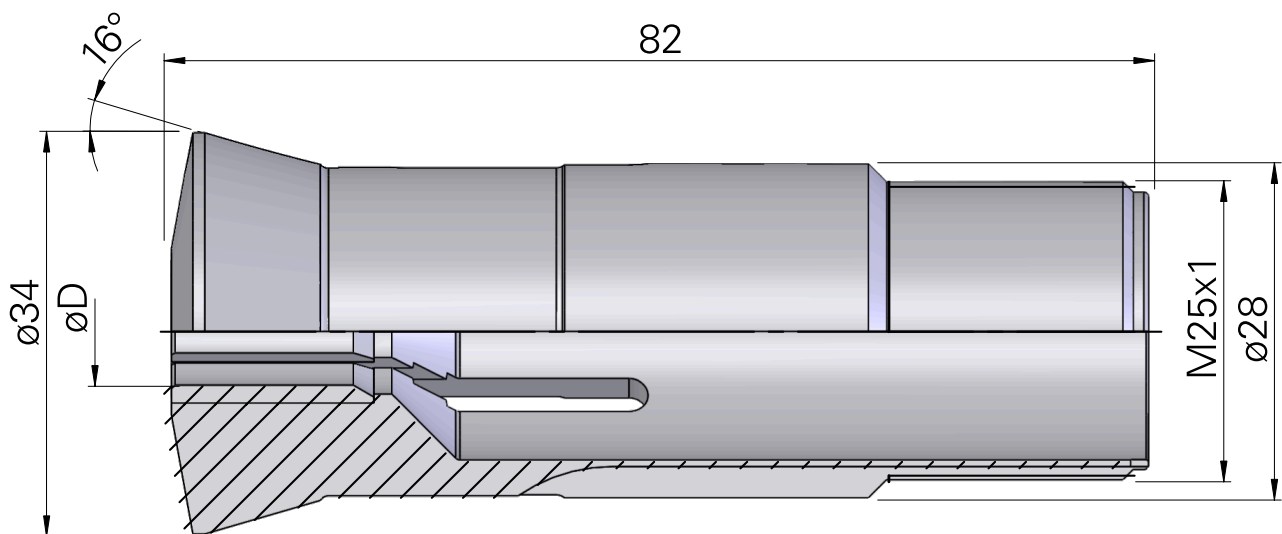
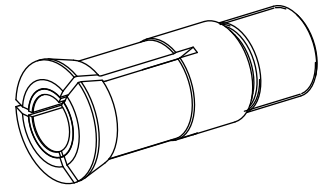


## Guide bush T223 Ø=20,00

### Technical data

|                           |                             |
|---------------------------|-----------------------------|
| Clamping device size      | T223                        |
| manufacturer product line |                             |
| Clamping type             | with carbide insert         |
| Nominal diameter (mm)     | 20 Millimeter               |
| Clamping method           | External clamping           |
| Collet design             | adjustable                  |
| Collet version            | Slots vulcanized (standard) |
| manufacturer product line | Schlenker                   |



## **Documents**

No downloads available for this product