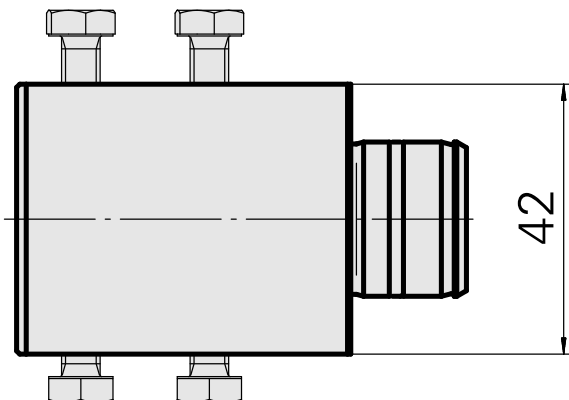


Mount D25 (0.98 ")

Technical data

Drive	not live
Cooling	internal
Mounting	D25
Pressure	80 bar
X [mm]	52 (2.05")
Y [mm]	-
Z [mm]	-
INDEX TRAUB products	ABC65 • TNK42/65 • TNL18 • TNL20 • TNL32-11 • TNL32 • TNL32-11 compact • TNL20-11 • • TNL32 compact • TNK40.2-10 • TNL20.2 • TNK40.2



Documents

No downloads available for this product

Accessories

Optional accessories

Other accessories

[Mounting sleeve with collar D25](#)

Product ID : 10070544

Previous product ID : W62221.41--

[HEX.HEAD BOLT 6X12](#)

Product ID : 10776803

Previous product ID : 410620.0612

[HEX SCREW 6X16](#)

Product ID : 10136131

Previous product ID : 410620.0616
