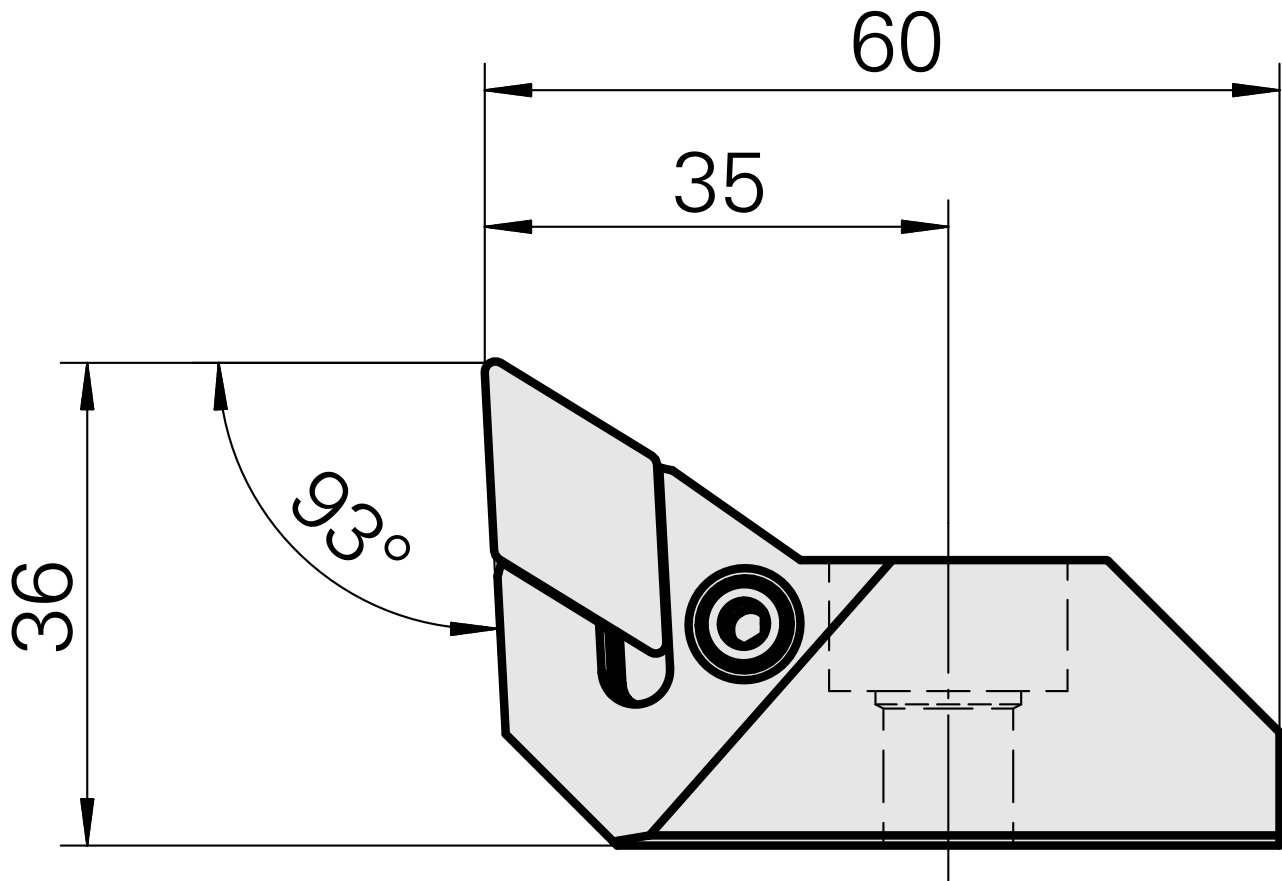
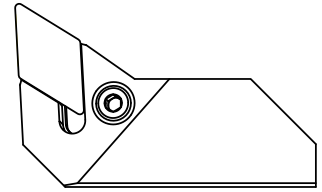


Boring head for DN.. 1506..

Technical data

| | |
|-----------------------------|--|
| Mounting | for DN.. 1506.. |
| Cooling | internal |
| Pressure | 50 bar |
| X [mm] | 36 (1.42") |
| Z [mm] | 35 (1.38) |
| INDEX TRAUB products | G220 • G420 • G520 • G320.2 • G220.3 • TNX220.3 |



Documents

No downloads available for this product