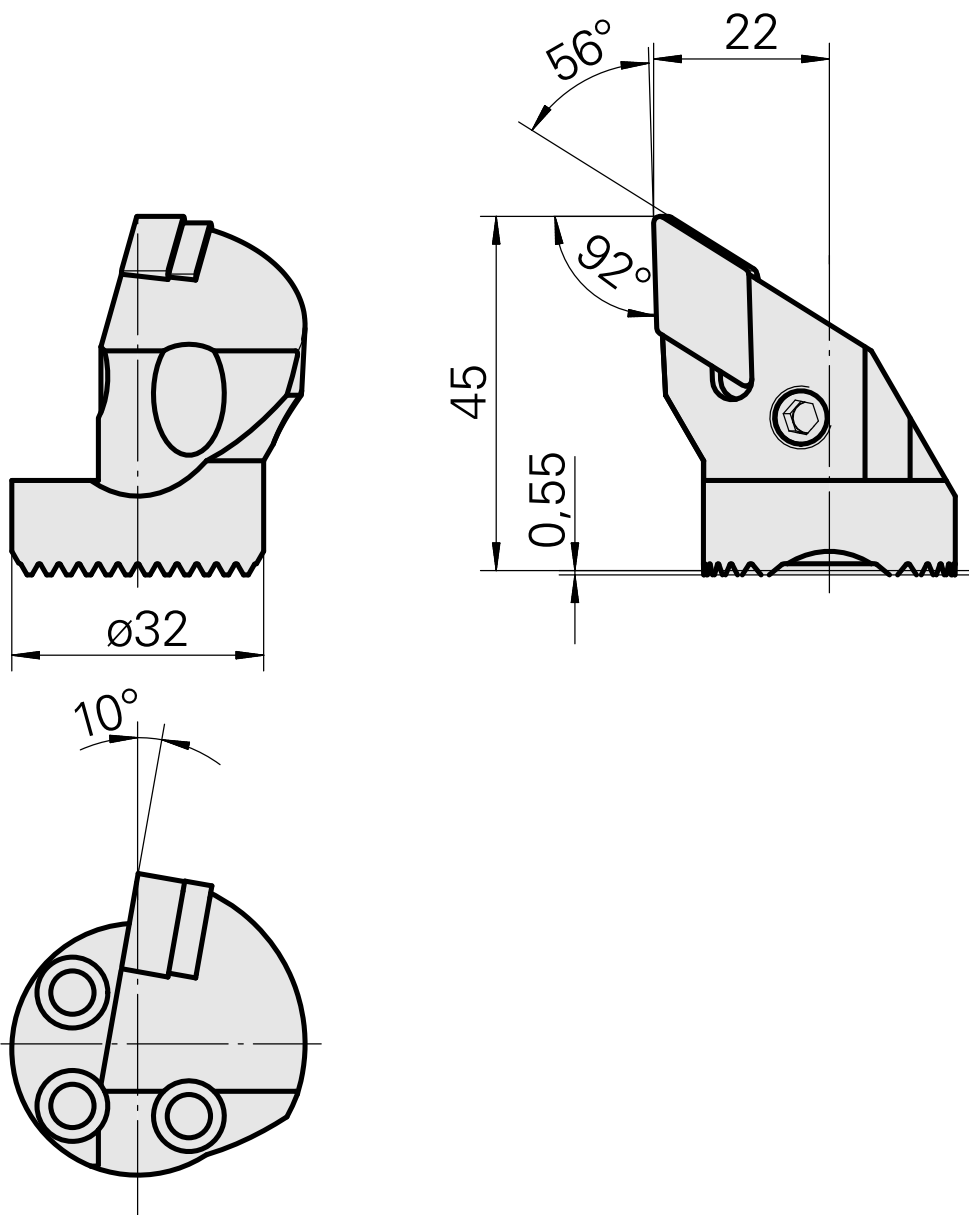


Boring head for DN.. 1506..

Technical data

| | |
|-----------------------------|--|
| Mounting | for DN.. 1506.. |
| Cooling | internal |
| Pressure | 50 bar |
| X [mm] | 45 (1.77") |
| Z [mm] | 22 (0.87) |
| INDEX TRAUB products | G220.3 • R200 • TNX65/42 • TNX220.3 |



10684981
W9990283

INDEX

Documents

No downloads available for this product

Accessories

Required for operation

[Chucking parts 315004](#)

Product ID : 10023015

Previous product ID : W00014.0022
