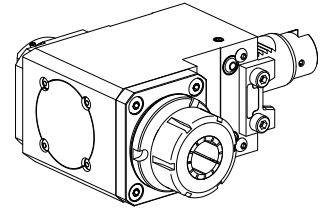


## Milling unit VDI 40 2:1 ER40

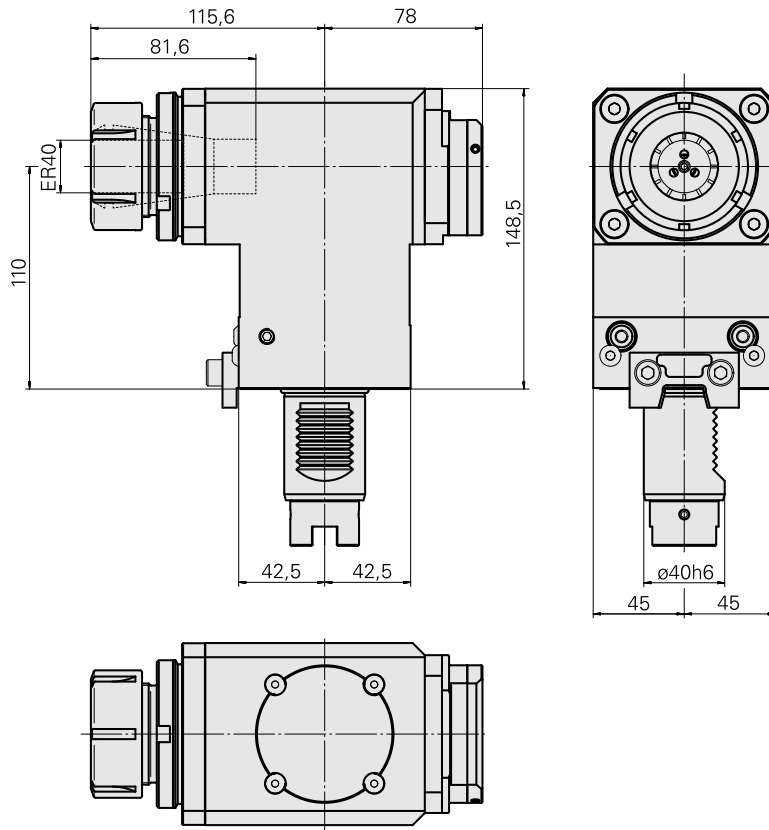
### Technical data

<b>Shank VDI</b>	VDI 40
<b>Drive</b>	Dog clutch
<b>Fixation VDI</b>	Vee bar
<b>Speed ratio</b>	2:1
<b>Cooling</b>	external
<b>Pressure</b>	20 bar
<b>Mounting</b>	ER40
<b>reversible 180°</b>	no
<b>Direction</b>	opposite to drive direction
<b>X [mm]</b>	110 (4.33")
<b>Y [mm]</b>	–
<b>Z [mm]</b>	116 (4.57)
<b>INDEX TRAUB products</b>	G400



### Note

Tool holders specially for INDEX G400! No dry-run permitted! Tool holder can be used only on the lower turret!



## Documents

No downloads available for this product

## Accessories

Required for operation

### Spanner

Product ID : 10474438

Previous product ID : 490219.0401

TH accessories category Tool	Mounting ER40	Collet type ER 40	Clamping nut type Female thread
Tools for Collet chucks Clamping nut wrench			

### Hook wrench

Product ID : 10567017

Previous product ID : 490340.0590

TH accessories category Tool	Clamping nut type Outside diameter 55-62 mm	Tools for Collet chucks Hook wrench
---------------------------------	---	--

## Optional accessories

### Tool holder accessories

### Clamping nut

Product ID : 11029703

Previous product ID : 901939.0401

TH accessories category Clamping nut	Mounting ER40	Collet type ER 40	Clamping nut type Female thread
---	------------------	----------------------	------------------------------------

### Other accessories

10675167  
W1435004

**INDEX**

---

Clamping collet

Product ID : 10146045

Previous product ID : 901930.4---

---

Coolant supply f. W64505.2000 u.ä.

Product ID : 10351504

Previous product ID : W64505.2050

---