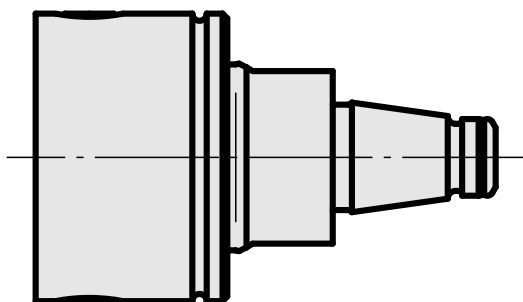
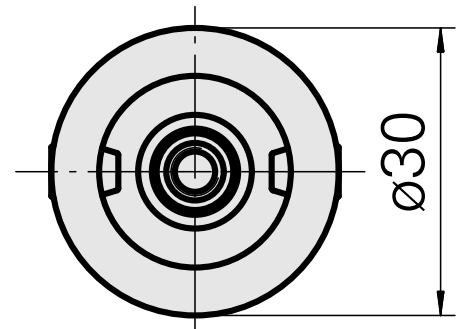


WFB 20-12 WFB 20-12, Extension

Technical data

TH accessories category	WFB 20-12
Mounting	WFB 20-12
Quick change inserts	miscell mounting



Documents

Product notes

[DE \(pdf\)](#)

[EN \(pdf\)](#)

[FR \(pdf\)](#)

[PT \(pdf\)](#)

Accessories

Optional accessories

Other accessories

[TORX SCREW M6 X 7MM M 6x1x7](#)

Product ID : 10004947

Previous product ID : 326171
